



General Motors Corporation
CHEVROLET MOTOR DIVISION

PRODUCT DESCRIPTION MANUAL
 DIM REFERENCE PROCESS MATERIAL TORQUE EXISTING AS PART OF

DIV RESP

6K-1 FAN, BELT, PULLEY & BELT
 ...LC3 or L39 & C41; & LG4 & GMB & C41
 6K-2 FAN, BELT, PULLEY & CLUTCH...LC3/L39/LG4/LM1 & R81
 6K-3 FAN & CLUTCHLDS
 6K-4 CANCELED
 6K-5 PULLEY & BELTSLDS
 6K-6 CANCELED
 6K-7 CRANKSHAFT PULLEYL39/LC3/LG4/LM1
 6K-8 RAD HOSES & ANTI-FREEZELC3
 6K-9 RAD HOSESLDS
 6K-10 RAD HOSES & ANTI-FREEZEL39/LG4/LM1
 6K-11 CANCELED
 6K-12 COOLING SYSTEM FILLLDS

6K ENGINE COOLING

DIV RESP

6-1 CONTENTS
 6-1.1 CONTENTS
 6 ENGINE
 6-2 ENGINE ASH & V.I.P. LOCATIONLC3/L39/LG4/LM1
 6-3 ENGINE IDHT NO. LOCATIONLDS
 6-4 CANCELED

6A ENGINE ASSEMBLY

6A-1 CANCELED

6B ENGINE LABELS
(SHOWN IN IPC "0")

6C CRANKSHAFT, BALANCER, AND FLYWHEEL

6C-1 TORSIONAL DAMPER RIBTLC3/L39/LG4/LM1

6G ENGINE LUBRICATION

6G-1 OIL FILLERLC3/L39/LG4/LM1
 6G-2 OIL LEVEL INDICATORLDS
 6G-3 OIL LEVEL INDICATORL3
 6G-4 OIL LEVEL INDICATORL39/LG4/LM1
 6G-5 ENG OIL FILLALL

6H ENGINE VENTILATION

6H-1 CRANKCASE VENTILATIONL39/LG4/LM1
 6H-2 CRANKCASE VENTILATIONLC3
 6H-3 CRANKCASE VENTILATIONLDS
 6H-4 OPPER

ENGINE DESCRIPTION

LC3 - V6, 3.8 LITER, 229 C.I.D.
 LDS - V6, 3.8 LITER, 231 C.I.D.
 L39 - V8, 4.3 LITER, 267 C.I.D.
 LG4 - V8, 5.0 LITER, 305 C.I.D.
 LM1 - V8, 5.7 LITER, 350 C.I.D.

FOR ENGINE ASSEMBLY INSTRUCTION
 SEE +
 V6 ENGINE
 V8 ENGINE

DATE	SYM	REVISION	REV	BY	CHK	DATE / BY	DIV	TITLE
05/28/80	1	REVISED	1	DR R. TAYLOR		05/28/80	CHEVROLET	1981 CHEV. "F" 14020867
07/28/80	2	SHT 6K-1 OPTS REV	2					CONTENTS-ENGINE
02/28/81	3	SHT 6-4 ENG IDENT NO LOCATION CANG	3					FADRI ALL (6 thru 6K)
	4	SHT 6A1 CYL BLK DRAIN PLUG CANG	4					
	5	SHT 6K4 FAN PUL I CU CANG	5					
	6	SHT 6K6 CSHAFT PUL CANG	6					
	7	SHT 6K11 RAD HOSES CANG	7					
	8	LUB REMOVED	8					

1 0 0 1 6

SHEET 1

6

IPC

REF ECR 86488

NEW 06N079

PRODUCT DESCRIPTION MANUAL

PROCESS MATERIAL TORQUE EXISTING A.S. PART OF

General Motors Corporation
CHEVROLET MOTOR DIVISION

6L ENGINE HEAT CONTROL AND MANIFOLDS

ITEM NO.	DESCRIPTION	REVISION	DATE	BY	CHK	APP	DATE	BY	CHK	APP	DIV. RESP.
6L-1	VACUUM FITTINGSLG4 or LM1 & M38									C
6L-2	VACUUM FITTINGSL39 & M38									C
6L-3	VACUUM FITTINGSLC3									C
6L-4	VACUUM FITTINGSLC3 & M15; & LM1 & M21									C
6L-5	VACUUM FITTINGSLB5									B
6L-6	OPEN										C
6L-7	INLET MANIFOLD PLUGLC3									C
6L-8	E.F.E. VALVE & PIPEL39/LG4/LM1									C
6L-9	E.F.E. VALVE & PIPELC3									C
6L-10	E.F.E. VALVE & PIPELD5									B
6L-11	E.F.E. VALVE SWITCH ASMLC3									C
6L-12	SOLENOID -EGR CONT VALVE RELAYLG4 or LM1 & M38/M33/NX3 (exc NM5)									C
6L-13	SOLENOID-EGR CONT VALVE RELAYLG4 or LM1 & M24 (exc NM5)									C
6L-14	SOLENOID-EGR CONT VALVE RELAYL39 (exc NM5)									C
6L-15	EGR VACUUM HARN ASMLC3 AM31 ANB1									C
6L-16	EGR VACUUM HARN ASMLC3 AM64 ANB1									C

★ Instructions Carryover
● Waiting Info.

DATE	SYM	REVISION	DATE	BY	CHK	APP	DATE	BY	CHK	APP	DIV.
035280	1	1) P.P. AM1 ADDED (2) PLACES	09/29/78	W. TAYLOR							CHEVROLET
030680	2	2) MVS-REM (2) PLACES	01/15/79								CHEVROLET
070680	3	3) SHI 6L-G VACUUM FITTING REM	07/22/79								CHEVROLET
											MT ECR 8644B
											NEW 22MY80

1981 CHEV. "F" 14020867

TITLE: CONTENTS-ENGINE
PART: ALL 16L

DIV: CHEVROLET

MT ECR 8644B
NEW 22MY80

UFC: 6
SHEET: 1.1

PRODUCT DESCRIPTION MANUAL

General Motors Corporation
CHEVROLET MOTOR DIVISION

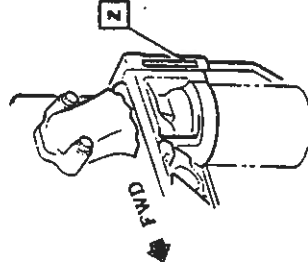
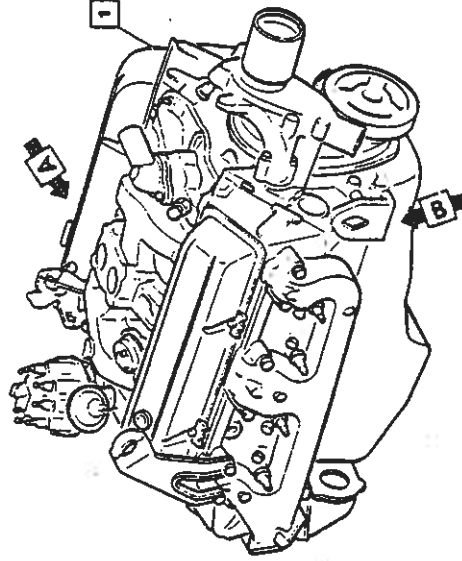
□ ITEM REFERENCE ◇ PROCESS MATERIAL △ TORQUE ▣ EXISTING AS PART OF

① 14031065 1 ENGINE ASM (AS SHIPPED) & L39 (SHOWN) For specific releasing & additional part numbers, see Parts List.

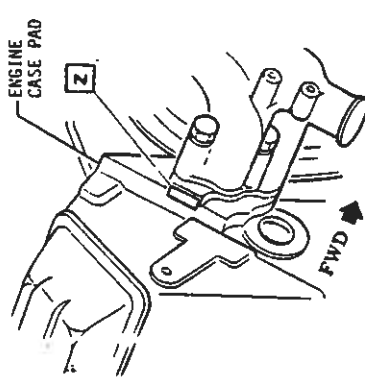
② 14023166 1 & LC3 8M64

③ 14023167 1 & LC3 8M31

Z V.I.N. locations (See 14F for V.I.N. specs).



VIEW A OPTIONAL V8



VIEW B & LC3/L64/L39/LM4

DYNAMIC (lb-in) / HARD (lb-in) · ft		DATE	SYM	REVISION	AUTH	DR	CE	ASB	DATE	DIV	TITLE	
△	△	030C86	1	14031065 WAS 14017804	901SD				12/14/80	CHEVROLET	1981 CHEV. "F" 14020867	
△	△		2	14023166 WAS 14017815 & OPT REV	861RS				DR	J. PARK	ENGINE ASM & V.I.N. LOCATION	
△	△		3	14023167 WAS 14027833 & OPT REV	91615	CU	RET		APPR	<i>[Signature]</i>	FA00 & ALL V8 ENG OR LC3	
△	△								APPR	(S)	1-99927 (S)	UFC
△	△								APPR		1-01024 (S)	6
△	△								APPR		1-01619 (S)	2
REF ECR 86447 C/O 14AJA 6-2											SHEET	

△ ONLY DRIVEN, SEATED & NOT STRIPPED

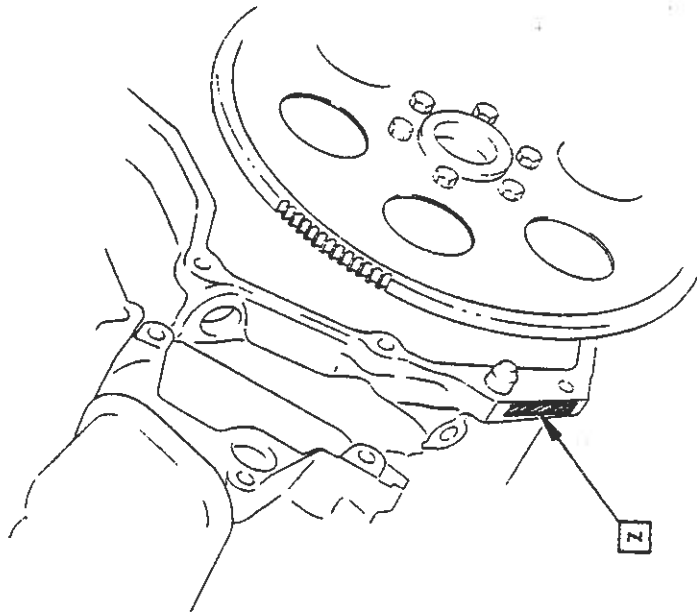
① ② ③ ④ ⑤ ⑥ ⑦ ⑧

BUICK MOTOR DIVISION
GENERAL MOTORS CORPORATION

FLINT, MICHIGAN

PRODUCT DESCRIPTION MANUAL

□ ITEM REFERENCE ◇ PROCESS MATERIAL △ TO BE QUOTE EXISTING AS PART OF



Z LOCATION TO BE STAMPED WITH VEHICLE IDENTIFICATION NUMBER. SEE UPC 14Z FOR NUMBER STAMPING PROCEDURE.

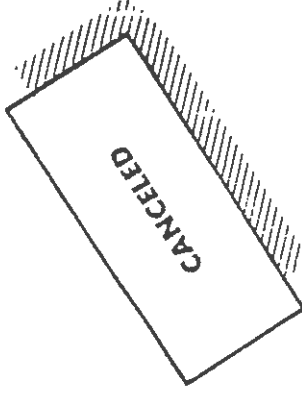
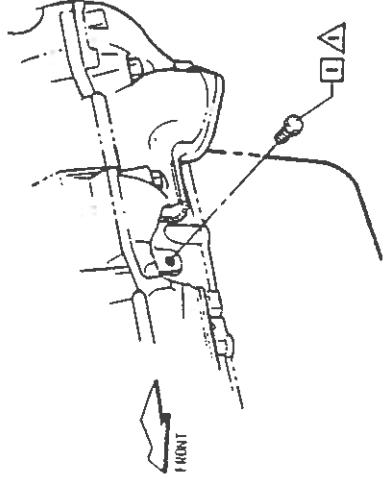
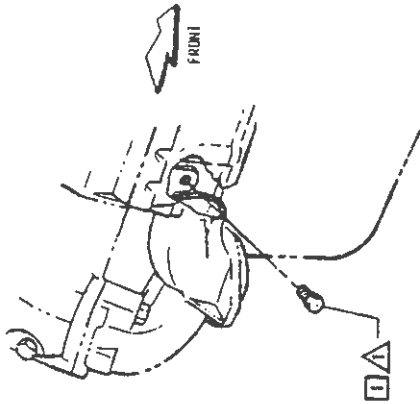
<input checked="" type="checkbox"/> DYNAMIC (INSTALL) <input type="checkbox"/> HAND (SUPPLY) <input type="checkbox"/> N.M.	DATE 10/1/70	SYM	ISSUED	DIVISION	AUTO 36446	DR 1/1	CR 1/1	EN 1/1	DATE 10/1/70	BY B. RAYMOND	DIV CHEVROLET	TITLE 1981 CHEV. "F" 14020867
△ △ △ △ △											ENGINE ASM V.I.N. LOCATION FA00 & L10	
△ FIRST DRIVER SEATED & NOT STRIPPED											REF ECR 86448 C/O 03AP80 6-3 JP	SHEET 6 3

PONTIAC MOTOR DIVISION
General Motors Corporation

PONTIAC MOTOR DIVISION
Pontiac, Michigan

PRODUCT DESCRIPTION MANUAL
ITEM REFERENCE ◊ PROCESS MATERIAL ▲ TORQUE ▣ EXISTING AS PART 0

444613 1 1 PLUG



DATE	SYN	ISSUED	REVISION	REV	DATE	DIV	TITLE
7-27-79		ISSUED		1	17 OCT 79	CHEVROLET	1981 CHEV. "F" 14020867
07/10/80	1	SHEET CANCELED					ENGINE BLOCK DRAIN PLUG FACD & LIUB

PARTS SHEET 1

▲ FULLY DRIVEN, SEALED & NOT STRIPPED



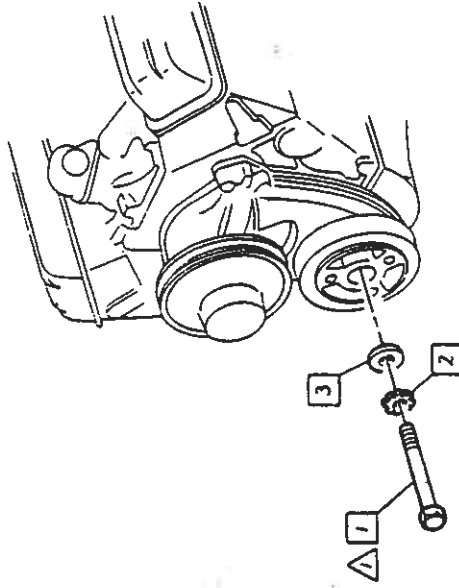


General Motors Corporation
CHEVROLET MOTOR DIVISION

PRODUCT DESCRIPTION MANUAL

ITEM REFERENCE PROCESS MATERIAL TORQUE EXISTING AS PART OF

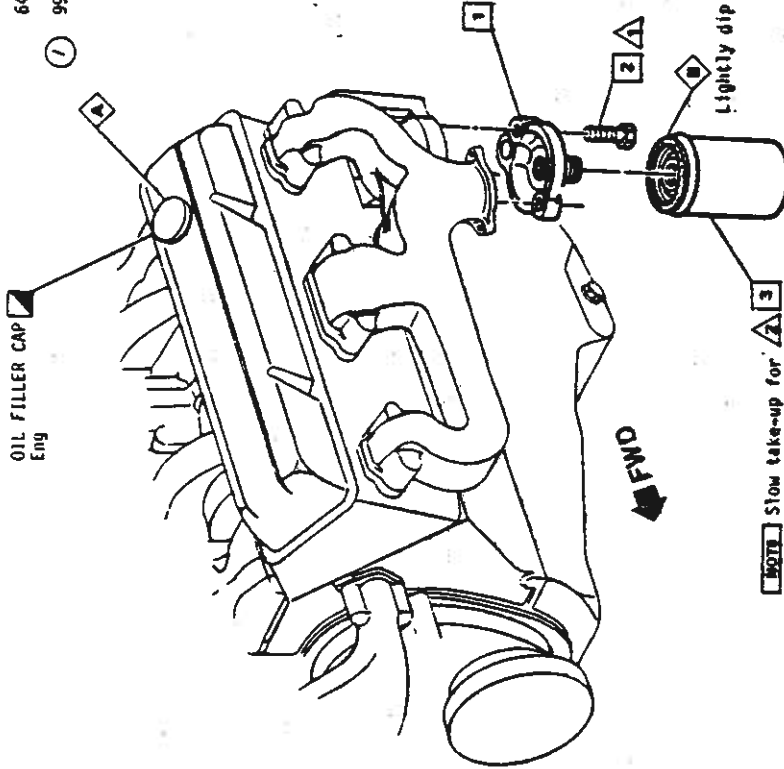
- 9420643 NUT/SCREW
- 130494 WASHER
- 3739422 WASHER



DYNAMIC (Initial) Rev	REV	DATE	SYM	BY	DATE	APP	DATE	APP	DATE	APP	DATE	APP	DATE	APP	DATE	APP	
HAND (Rev) Rev					DATE		SYM		BY		DATE		APP		DATE		
<input checked="" type="checkbox"/> 80-110 <input checked="" type="checkbox"/> <input checked="" type="checkbox"/> <input checked="" type="checkbox"/>		<input checked="" type="checkbox"/> FULLY DRAWN <input checked="" type="checkbox"/> SLATED & NOT SHIPPED		133		CHEVROLET		DIV		1981 CHEV. "F" 14020867		TITLE		TOR. FINAL DAMPER BOLT FACED & ALL VE. ENG. & L.C.		SHEET 1	
REV APPR DATE APPR			REV APPR DATE APPR			REV APPR DATE APPR			REV APPR DATE APPR			REV APPR DATE APPR			REV APPR DATE APPR		
REV APPR DATE APPR				REV APPR DATE APPR				REV APPR DATE APPR				REV APPR DATE APPR					
REV APPR DATE APPR				REV APPR DATE APPR				REV APPR DATE APPR				REV APPR DATE APPR					
REV APPR DATE APPR				REV APPR DATE APPR				REV APPR DATE APPR				REV APPR DATE APPR					
REV APPR DATE APPR				REV APPR DATE APPR				REV APPR DATE APPR				REV APPR DATE APPR					
REV APPR DATE APPR				REV APPR DATE APPR				REV APPR DATE APPR				REV APPR DATE APPR					

ITEM REFERENCE PROCESS MATERIAL TORQUE LISTING AS PART OF

- 1 3952301 ADAPTER ASM
 - 2 3951644 BOLT/SCREW
 - 3 6437055 FILTER ASM
 - 4 9985425
- OIL-FILLER If engine oil level is not above "ADD" mark on oil level gage, add 0.95 Liters. The readings are based upon "as shipped" vehicle condition so the assembly plant will have to allow for factors that affect dipstick readings taken in process.
- 0.004 L



1981 CHEV. "F" 14020867			
CHEVROLET		OIL FILTER FA00 & LC3/L39/LG4/LM1,	
BUICK 86448 C/O L7JABO 66-1	1-783821 (S)	UFC	69
DIVISION		SHEET 1	
DATE	BY	CHKD	APPD
05/JUN/80	DR. S. BOROWICZ		
	BY R. L. L. L. L. L.		
	BY S		
	BY S		
	BY S		
	BY S		
REVISION			
DATE	BY	CHKD	APPD
05/JUN/80	1		
	2		
WAS 9985183 OIL			
QTY. 0.004 L WAS 0.00378 LITERS			
19-30			
26-34			
FULLY DRIVEN, SEALED & NOT STAMPED			



General Motors Corporation
CHEVROLET MOTOR DIVISION

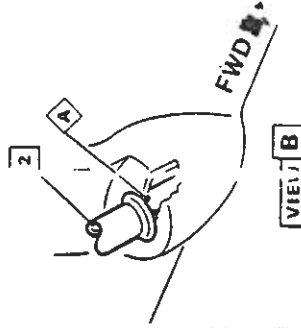
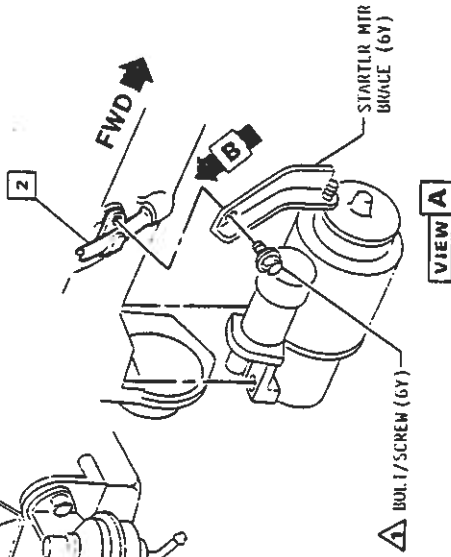
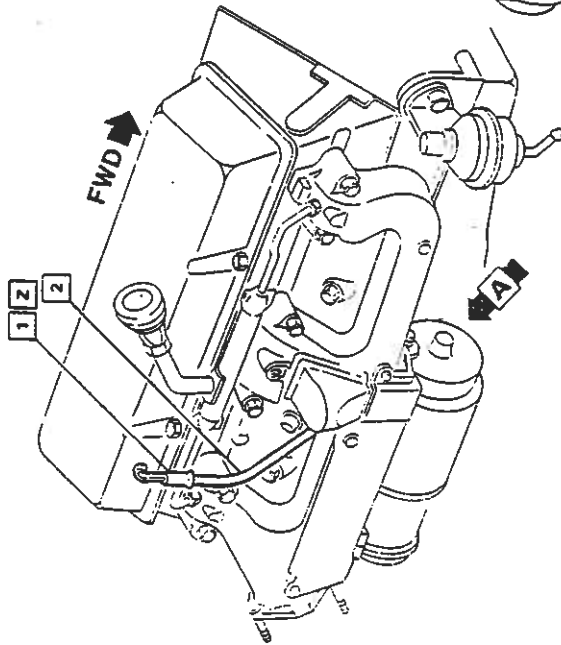
PRODUCT DESCRIPTION MAN JAL

ITEM REFERENCE PROCESS MATERIAL EXISTING AS PART OF

- 14026164 1 INDICATOR ASM
- 14010290 2 TUBE ASM
- 9985345 A SEALER-.000076 Liters

Z OIL LEVEL TO BE FROM FULL TO 1/4" BELOW FULL MARK ON 1 AFTER ENGINE IS RUN.

WAITING LAYOUT APPROVAL



SYMBOL	DESCRIPTION	DATE	BY	CHK	APP	REV	DATE	BY	CHK	APP	REV	DATE	BY	CHK	APP	REV	DATE	BY	CHK	APP	REV		
△	210-27																						
△																							
△																							
△																							
FULLY DRIVEN, SLATED & NOT SHIPPED																							
												DIVISION											
												133											
												1981 CHEV. "F" 14020867											
												OIL LEVEL INDICATOR FA00 & L39/LG4/LMI											
												MIECR 06448 C/O 17JAH0 6G-4											
												20471 (NS)											
												6G											
												4											

△ FULLY DRIVEN, SLATED & NOT SHIPPED

PONTIAC MOTOR DIVISION
Pontiac, Michigan

PRODUCT DESCRIPTION MANUAL
ITEM REFERENCE PROCESS MATERIAL TORQUE EXISTING AS PART OF

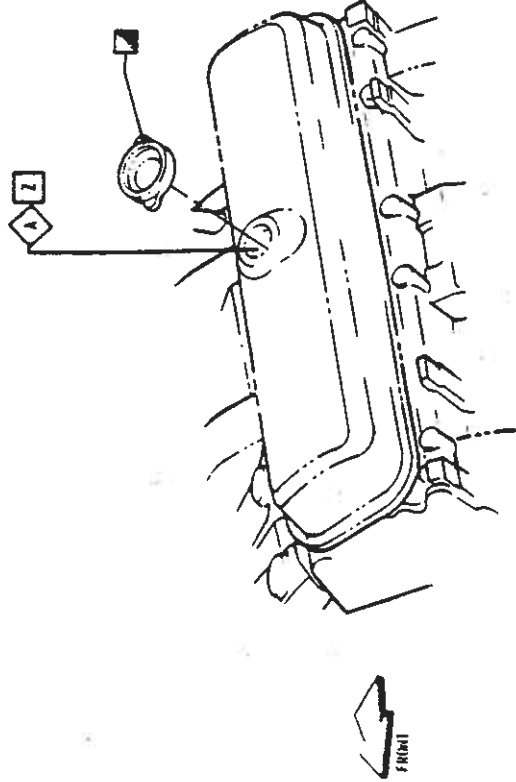
PROCESS MATERIAL TORQUE EXISTING AS PART OF

PROCESS MATERIAL

TORQUE

EXISTING AS PART OF

① 9985425 ⎧ A OIL



AS REQUIRED TO BRING
OIL LEVEL ON DIP STICK
TO FULL MARK (ALL ENGINES)
PONTIAC ENGINE SHOWN

DATE	SYN	REVISION	NUM	UP	OR	EX	AN	DATE	DIV	1981 CHEV. "F" 14020867	
12/23/81		ISSUED	90-118				17	17 DEC 79	CHEVROLET	TITLE	
05/19/82	1	WAS 9935/83 OIL	99-550	(1)			GM	GMV/FNB	CHEVROLET	ENGINE OIL-(10P OFF)	
07/19/82	2	LUB. VIEW REMOVED	91222	(1)			GM	CAR	CHEVROLET	FAAO ALL	
									ECN 8644B	OPC	6G
									C/O 140E79		5
									6G-6 SB		SHEET

⚠ ONLY WHEN SERVICED & NOT STRIPPED

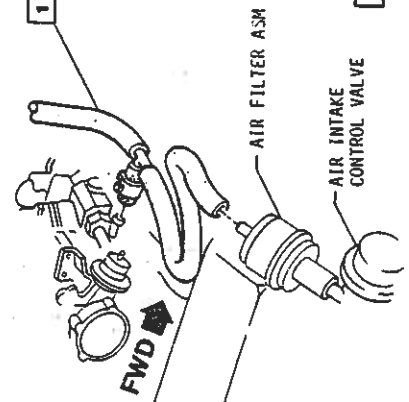
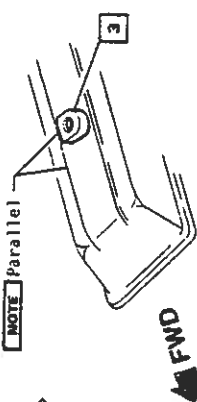


General Motors Corporation
CHEVROLET MOTOR DIVISION

PRODUCT DESCRIPTION MANUAL

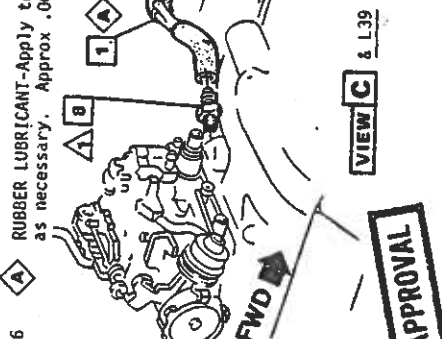
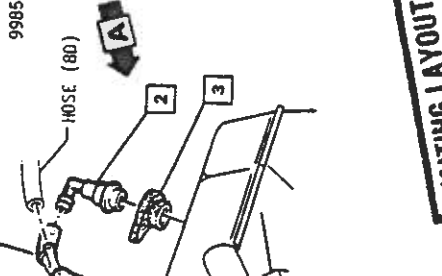
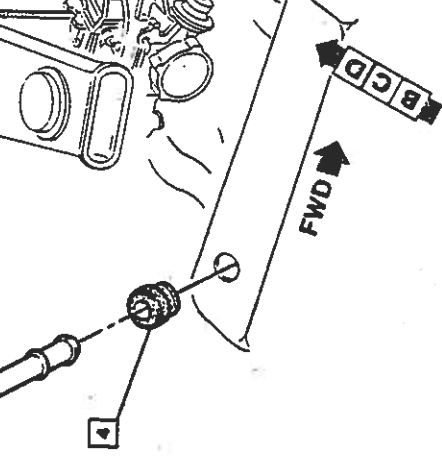
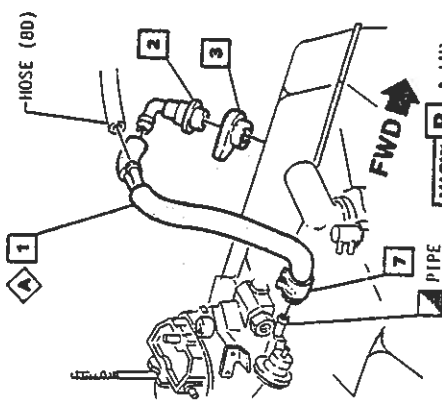
EXISTING AS PART OF

- 1 14031148 HOSE ASM
- 1 14017747 8LMI 8M3B 8NM4; 8LG4 8HPM4 3
- 1 14023102 & LMI & M24 & NM4 & L39
- 1 14017746 VALVE ASM
- 2 649778 GRONMET
- 3 3989350 GRONMET
- 4 3989344 TUBE & LG4 or LMI
- 5 3970070 HOSE & LG4 or LMI & L39
- 6 3970072 CLAMP & LG4 or LMI
- 7 9438534 FITTING
- 8 14015435 RUBBER LUBRICANT-Apply to hose ends as necessary. Approx .0076 L per job.
- 9 3786276 HOSE (80)
- 10 336018 HOSE (80)
- 11 9985406 HOSE (80)



VIEW A

VIEW B



WAITING LAYOUT APPROVAL

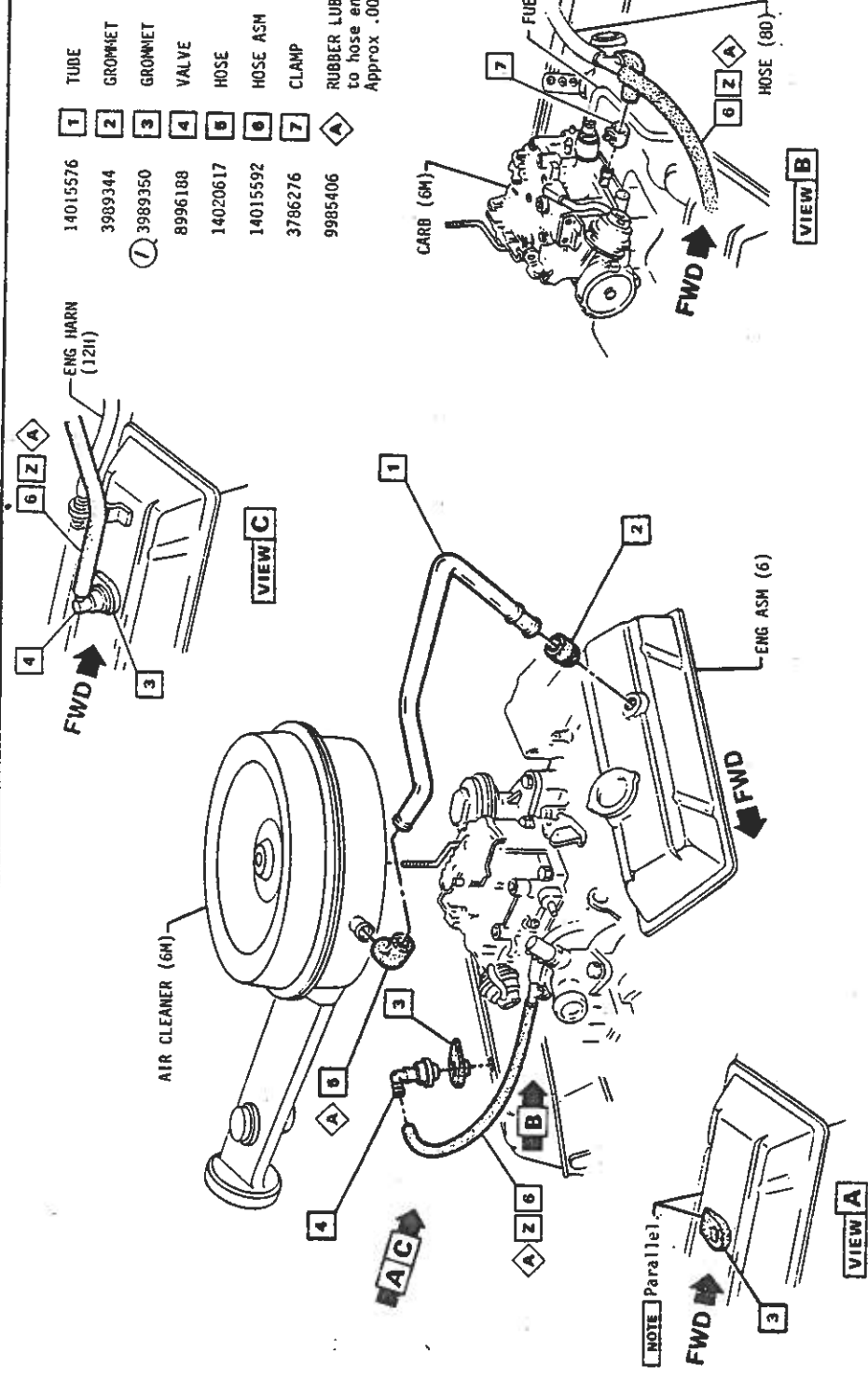
DATE	SYN	REVISION	AUTH	DR	CHK	ASH	DATE	DIV	TITLE
11/18/80		1 HOSE ADDED	87994	DR			11/18/80	CHEVROLET	1981 CHEV. "F" 14020867
11/18/80		2 VIEW "D" ADDED	92328	DR					CRANKCASE VENTILATION FAUO & LG4/LMI/L39
11/18/80		3 OPTS REVISED	90775	DR					
11/18/80		4 9438534 MATS 14020867							
<input checked="" type="checkbox"/> FULLY DRAWN, SEATED & NOT STRIPPED									
<input checked="" type="checkbox"/> <input checked="" type="checkbox"/> <input checked="" type="checkbox"/> <input checked="" type="checkbox"/> <input checked="" type="checkbox"/> <input checked="" type="checkbox"/> <input checked="" type="checkbox"/> <input checked="" type="checkbox"/> <input checked="" type="checkbox"/> <input checked="" type="checkbox"/>									
1981									
REF ECR 86448 NEW 29JAB80									
1 (MS)									
DPC									
6H									
SHEET									1



General Motors Corporation
CHEVROLET MOTOR DIVISION

PRODUCT DESCRIPTION MANUAL

ITEM REFERENCE PROCESS MATERIAL TORQUE EXISTING AS PART OF



- 1 14015576 TUBE
- 2 3989344 GROMMET
- 3 3989350 GROMMET
- 4 8996188 VALVE
- 5 14020617 HOSE
- 6 14015592 HOSE ASH
- 7 3786276 CLAMP
- A 9985406 RUBBER LUBRICANT—Apply to hose ends as necessary. Approx. .0076 L per Job.

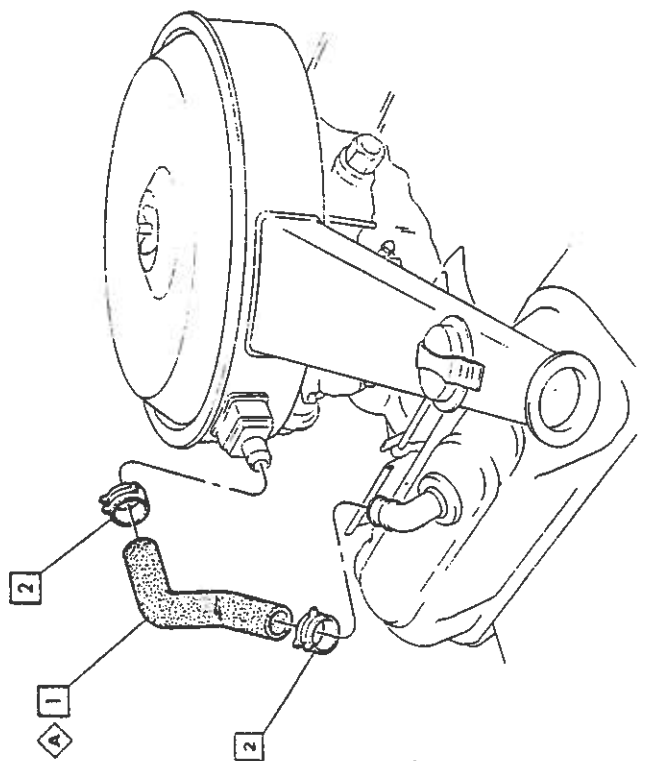
Z Route item 6 forward of engine electrical harness clips on the R.H. Rocker Cover.

DYNAMIC (Installation) - Hand (Resp.) - 0		DATE	SYN	REVISION	DATE	DIV	1981 CHEV. "F" 14020867	
A	A	27JUN80	7	WAS 3994239 GROMMET	14 FEB 80	CHEVROLET	CRANKCASE VENTILATION FAOD & LC3	
A	A				DR R. TAYLOR			
A	A				APR 5			
A	A							
A	A							
FULLY DRIVEN, SEALED & NOT STIPPED				198			M ³ ECR 86448 C/O 25JAB0 6H-2	
							SHEET 2	
							6H	

PRODUCT DESCRIPTION MANUAL

BUICK MOTOR DIVISION
GENERAL MOTORS CORPORATION FLINT MICHIGAN

ITEM REFERENCE PROCESS MATERIAL EXISTING AS PART OF



- 25505469 1 TUBE
- 1374023 2 CLAMP (2)
- 9985406 A RUBBER LUBRICANT -
Apply to hose ends
as necessary.
Approx .0076 L per
job.

PHAMIC (Inventor) HAND (Insp.) DATE 2/27/80	REVISION ISSUED	AUTH BC448	DR (C) CU	DR (C) CU	DATE 11 DE 79	DIV CHEVROLET BY ECR 86448 C/O 30JABO 6H-1 RT	TITLE 1981 CHEV. "F" 14020867 CRANKCASE VENTILATION FADD & LUS	SHEET 6H 3
FULLY DRAWN, SEATED & NOT STIPPED								
1 0 0 0 0 0 0 0 0								

PONTIAC MOTOR DIVISION

General Motors Corporation

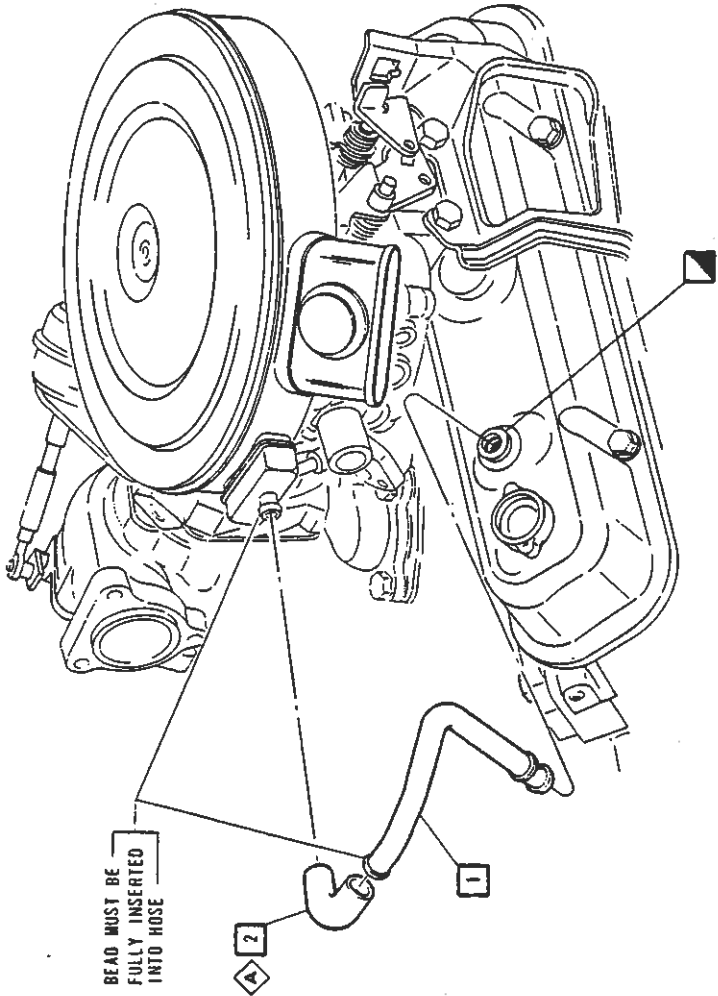
Pontiac, Michigan

PRODUCT DESCRIPTION MANUAL

ITEM REFERENCE PROCESS MATERIAL TORQUE EXISTING AS PART OF

10012234 1 PIPE
 10013730 2 HOSE

9995406 A RUBBER LUBRICANT
 Apply to hose ends
 as necessary.
 Approx. .0076 L per
 Job.



FRONT

DYNAMIC (includes in HAND (loop)) N.M.			DATE	SYM	ISSUED	NIVISON	DATE	BY	CHK	REV	DATE	BY	CHK	REV	DATE	BY	CHK	REV
			3/19/80	STNGRD	ISSUED	NIVISON	02/22/79	DE G. M. VERSTRAETE	AS		01/19/79							
					SHEET CANCELED													

DIV	CHEVROLET	1981 CHEV. "F" 14020867
TITLE	CRANKCASE VENTILATION FAOD & LUB	
REV	21-77338	UPC
REV	ECR 8644B	
	C/O OSNYSO	
	6H-3 RT	
		SHEET
		4

44E 10 1895 B-77 30130

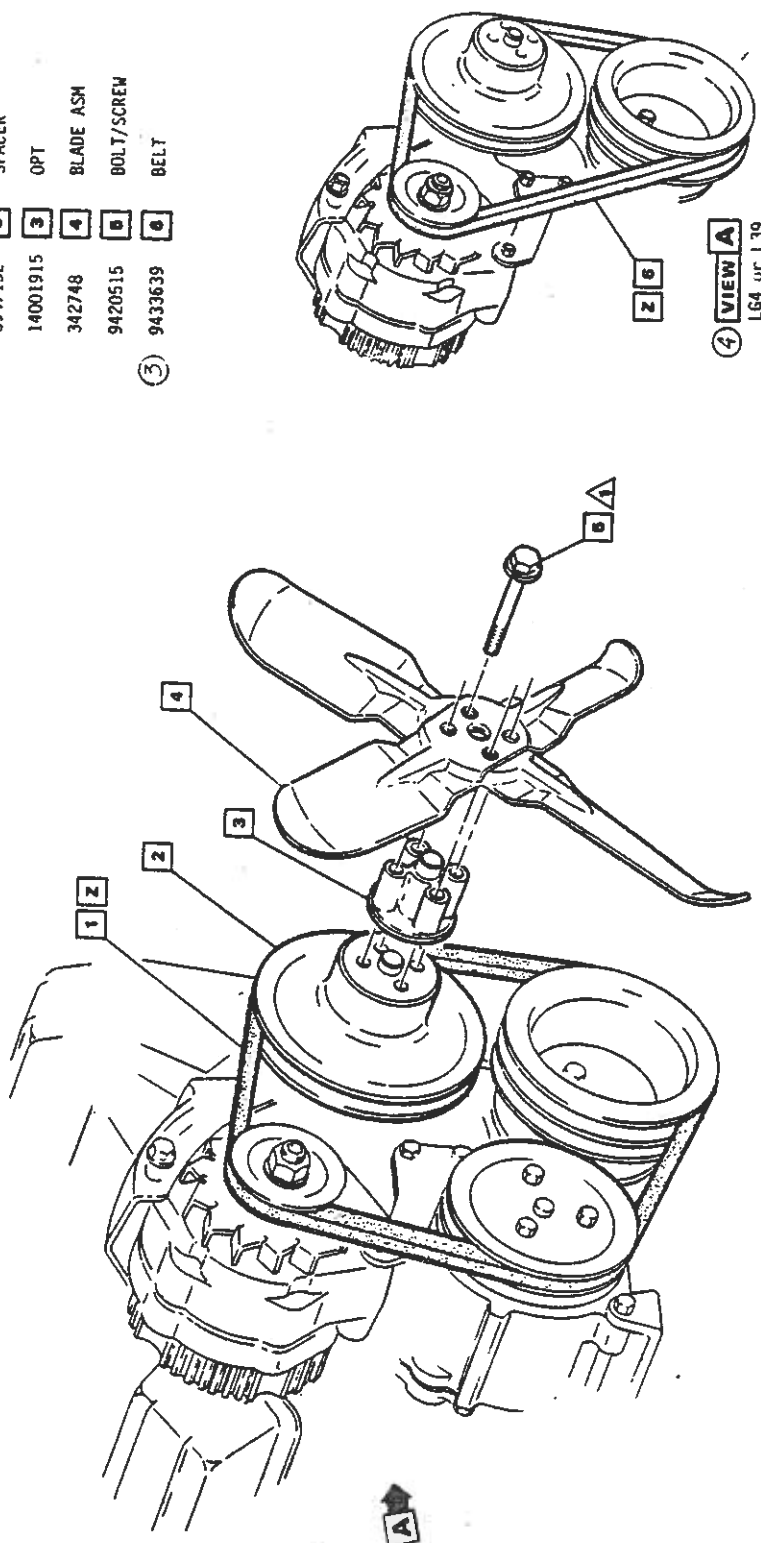


General Motors Corporation
CHEVROLET MOTOR DIVISION

PRODUCT DESCRIPTION MANUAL

□ ITEM REFERENCE ◊ PROCESS MATERIAL △ TORQUE ▣ EXISTING AS PART OF

- ① 9433644 1 BELT & K19 ②
- ② 14023154 2 PULLEY
- ③ 3947132 3 SPACER
- ④ 14001915 3 OPT
- ⑤ 342748 4 BLADE ASH
- ⑥ 9420515 8 BOLT/SCREW
- ⑦ 9433639 6 BELT



④ VIEW A
LG4 or L39
& MM4 (exc K73)

② For belt tensioning
see UPC 6Z.

DATE	SYN	REVISION	DATE	BY	CHK	APP	DATE	BY	CHK	APP
20-27	1	WAS 3.505.56 PULLEY	07 FEB 80	DR R. LINDNER						
	2	"S" K19" ADDED								
	3	ITEM 6 ADDED								
	4	VIEW "A" ADDED								
	5	OPTS REV								

199	APP									
	APP									
	APP									
	APP									

1981 CHEV. "F" 14020867										
FAN PULLEY & BELTS FA00 & LC3 or L39 & CA1; & LG4 & GMB & CA1										
L-04966 (S)										
L-11532 (S)										
ECR 86448										
C/O 16JAB0										
6K-1										
6K										
SHEET										
1										

△ FULLY DRIVEN, SEALED & NOT STRIPPED

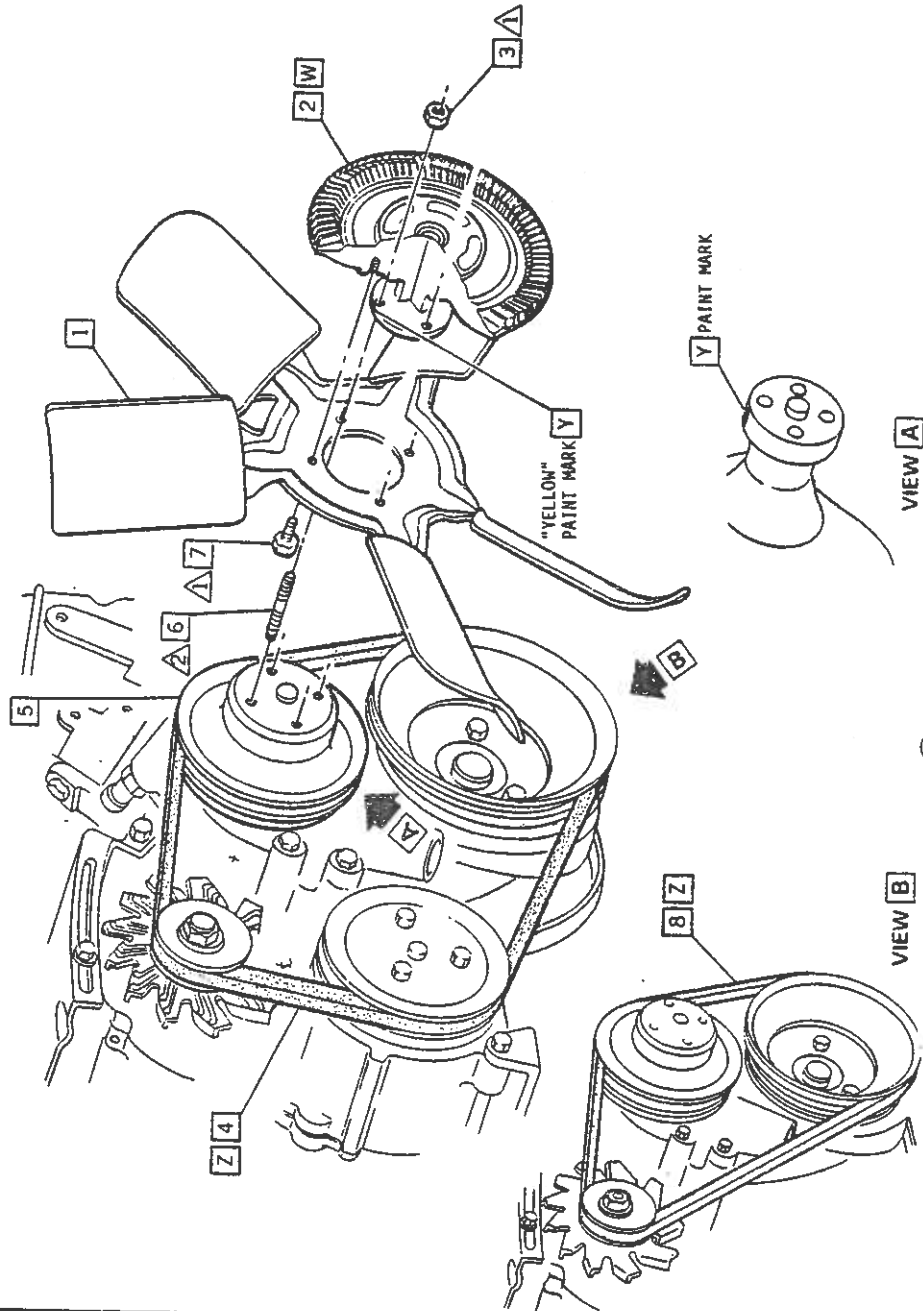


General Motors Corporation
CHEVROLET MOTOR DIVISION

PRODUCT DESCRIPTION MANUAL
EXISTING AS PART OF

ITEM REFERENCE PROCESS MATERIAL TORQUE

- 14026143 1 BLADE ASM
- 14026144 1 OPT
- ② 14030071 1 &LM1 &C60
- 343719 2 CLUTCH ASM (SHOWN) X ⑤
- 9417954 3 NUT
- 9433646 4 BELT &C60 &K19 &K77 ⑤
- 9433647 4 &K19 &K73 ③
- 9433644 4 &C41 &K19 ③
- 14023155 5 PULLEY &C60
- 14023154 5 &C41 ③
- 1364760 6 STUD
- 9419683 7 BOLT/SCREW
- 9433640 8 BELT ④



W Do not allow clutch asm ② to rest on front face as loss of lubricant fluid may occur.

X For specific releasing & additional part numbers, see parts list.

Y The fan clutch "yellow" paint mark is to be matched with paint mark on O.D. & backside of water pump hub at assembly.

Z For belt tensioning see UPC 6Z.

VIEW B

VIEW A

8L64 or L39 &K73 or K77 &194 ⑤

DATE	SYN	REVISION	DATE	BY	CHK	APP	DATE	BY	CHK	APP	DIV	ITEM	
17JUN69	1	REDRAWN / REDESIGNED	07/21/69	DR R. LINDNER							CHEVROLET	1981 CHEV. "F" 14020867	
07/21/69	2	14030071 BLADE ADDED	07/21/69	(U) J. J. ...								FAN, CLUTCH & BELTS FA00 & LC3/LG4/LMI/L39 & C60; & LMI; & LG4 & GU4 & C41	
08/20/69	3	OPTS REV (S) PLS	08/20/69	APR 5								1-04966 ⑤ 1-11532 ⑤	
	4	OPTS REM											
	5	NOTE "X" ADDED											
			2.00								REF ECR 86448 C/O 16JAB80 6K-2	6K	SHEET 2

FULLY DRIVEN, SEATED & NOT STOPPED

PONTIAC MOTOR DIVISION

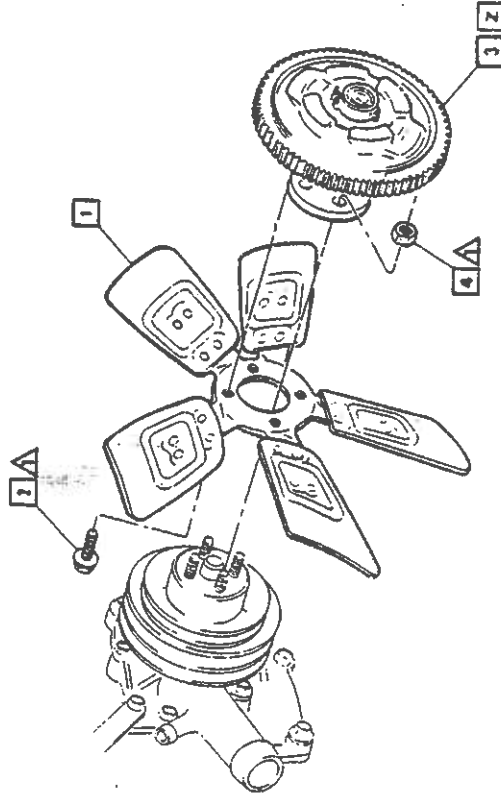
General Motors Corporation

Pontiac, Michigan

PRODUCT DESCRIPTION MANUAL

ITEM REFERENCE PROCESS MATERIAL TORQUE EXISTING AS PART OF

- 14026143 **1** BLADE
- 14026144 **1** OPT
- 9419683 **2** BOLT
- 22008490 **3** CLUTCH ASM (SHOWN)
For specific releasing & additional part numbers, see Parts List.
- 9417954 **4** NUT

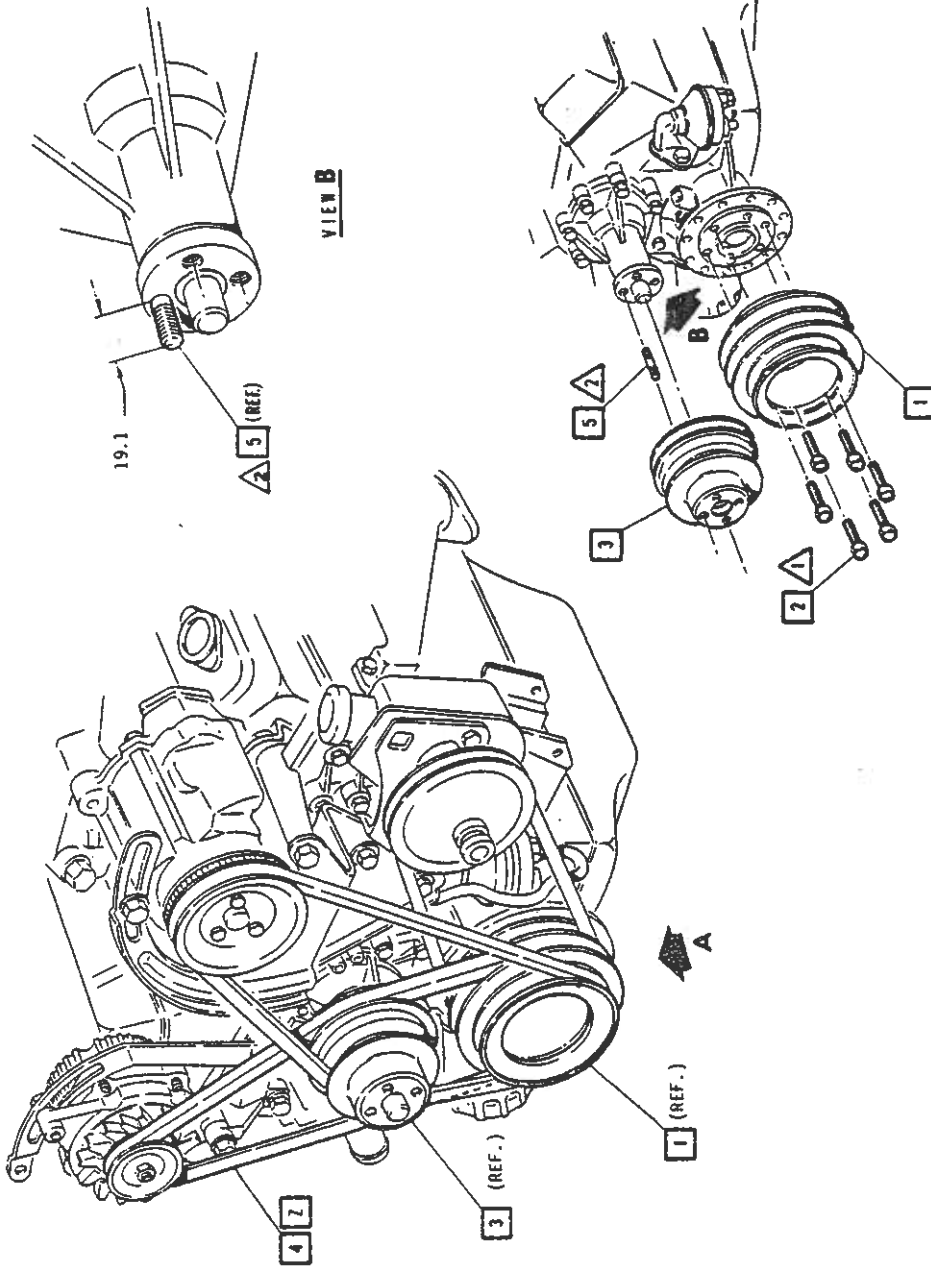


Z Do not allow clutch asm **3** to rest on front face as loss of lubricant fluid may occur.

DATE	SYN	ISSUED	REVISION	AUTH	DR	CHK	DATE	DIV	TITLE	SHEET
2021820				94448	RL	1/8	23-FE-79	CHEVROLET	FAN & FAN CLUTCH	3
20-27							RPH/CAV	CHEVROLET	FAN & FAN CLUTCH	6K
							CE PEG	GM ECR 86448	FAN & FAN CLUTCH	3
							APR S	C/O 10JH80	FAN & FAN CLUTCH	6K
							APR	6K-12 RL	FAN & FAN CLUTCH	3
							APR		FAN & FAN CLUTCH	3
							APR		FAN & FAN CLUTCH	3

ITEM REFERENCE PROCESS MATERIAL TORQUE EXISTING AS PART OF

- 546924 1 PULLEY ASM. (ZR)
- 9417950 2 BOLT
- 1249741 3 PULLEY ASM.
- 9433639 4 BELT (BR) W/C41
- 9433642 4 BELT (BV) W/C60
- 1364760 5 STUD



2 FOR BELT ROUTING SEE 'PULLEY & BELT DIAGRAM' - UPC 6Z.

1981 CHEV. "F" 14020867



101 ECR 8644B
NEW 10JH60
6K-2.1 RL

DATE	05 MY 80
BY	R.P. B/E/E/I
CHK	ADG
APP	ADG
APP	
APP	
APP	

REV	
DATE	
BY	
CHK	
APP	
APP	
APP	
APP	

203

ISSUED

20 JH60

20 - 34
5 - 11

UNLY DRIVEN SEATED & NOT STRIPPED

1	0	P	6
---	---	---	---

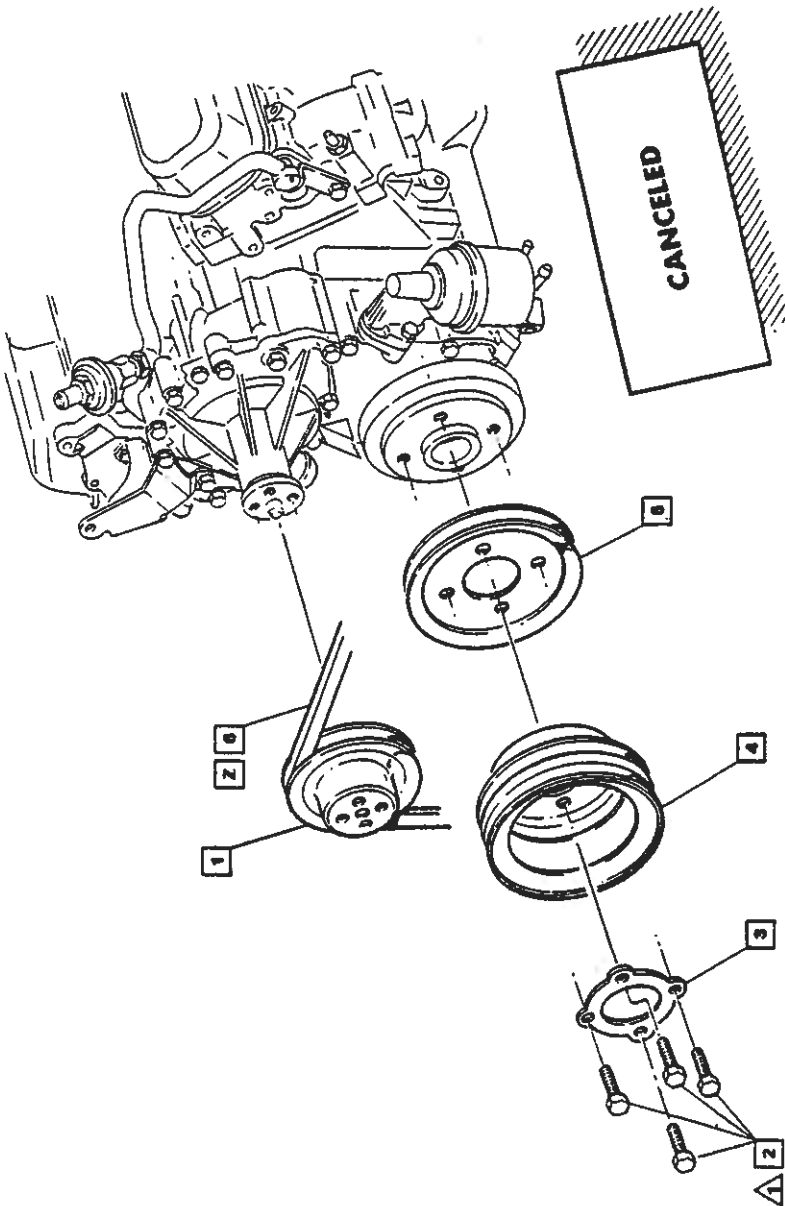
PONTIAC MOTOR DIVISION

General Motors Corporation Pontiac, Michigan

PRODUCT DESCRIPTION MANUAL

ITEM REFERENCE
 PROCESS MATERIAL
 TORQUE
 EXISTING AS PART OF

- | | | |
|---------------------------------------|----------|---------------------|
| <input checked="" type="checkbox"/> 1 | 10014014 | PULLEY (WU) |
| <input checked="" type="checkbox"/> 2 | 9420960 | BOLT |
| <input checked="" type="checkbox"/> 3 | 10003735 | REINFORCEMENT PLATE |
| <input checked="" type="checkbox"/> 4 | 10014013 | PULLEY |
| <input checked="" type="checkbox"/> 5 | 10001528 | PULLEY (ZU) |
| <input checked="" type="checkbox"/> 6 | | BELT |



Z For belt routing see "Pulley & Belt Diagram"--JPC 6Z.

DATE		SYN	REVISION		AUTH	OR	LE	REV	DATE	DIV	1981 CHEV. "F" 14020867
DATE	2/27/80	1	ISSUED		86448		9222		11-1A-80	CHEVROLET	ENGINE
			STREET CANCELED		9222		LU				CRANKSHAFT & WATER PUMP PULLEY
											FABO & LUB
											MF ECR 86448
											NEW 29FE80
											6K-3 RL
											6K
											6
											SWH

204

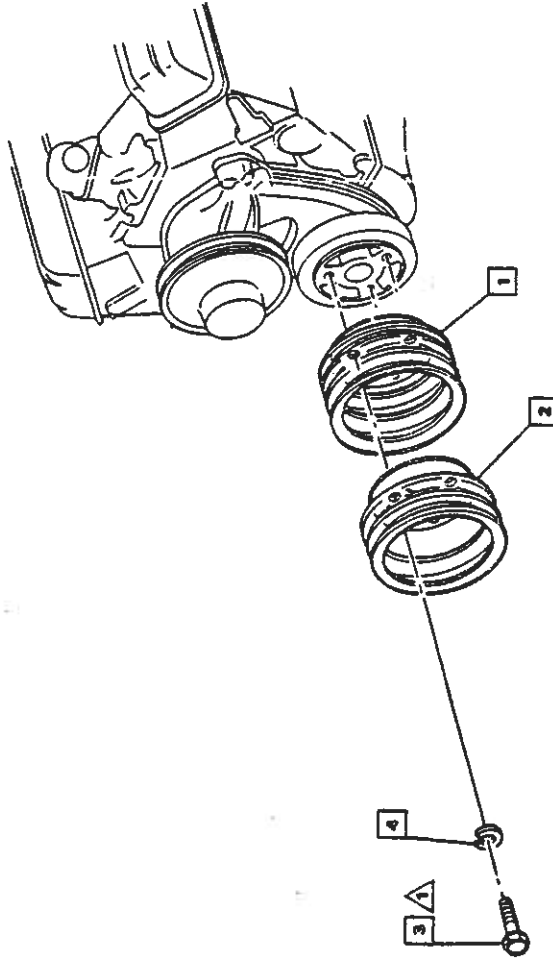


General Motors Corporation
CHEVROLET MOTOR DIVISION

PRODUCT DESCRIPTION MANUAL

ITEM REFERENCE PROCESS MATERIAL TORQUE EXISTING AS PART OF

- 14023148 1 PULLEY ASM & C60
- ① 14023147 2 PULLEY ASM 8C41
- 9423959 3 BOLT/SCREW
- 103321 4 WASHER

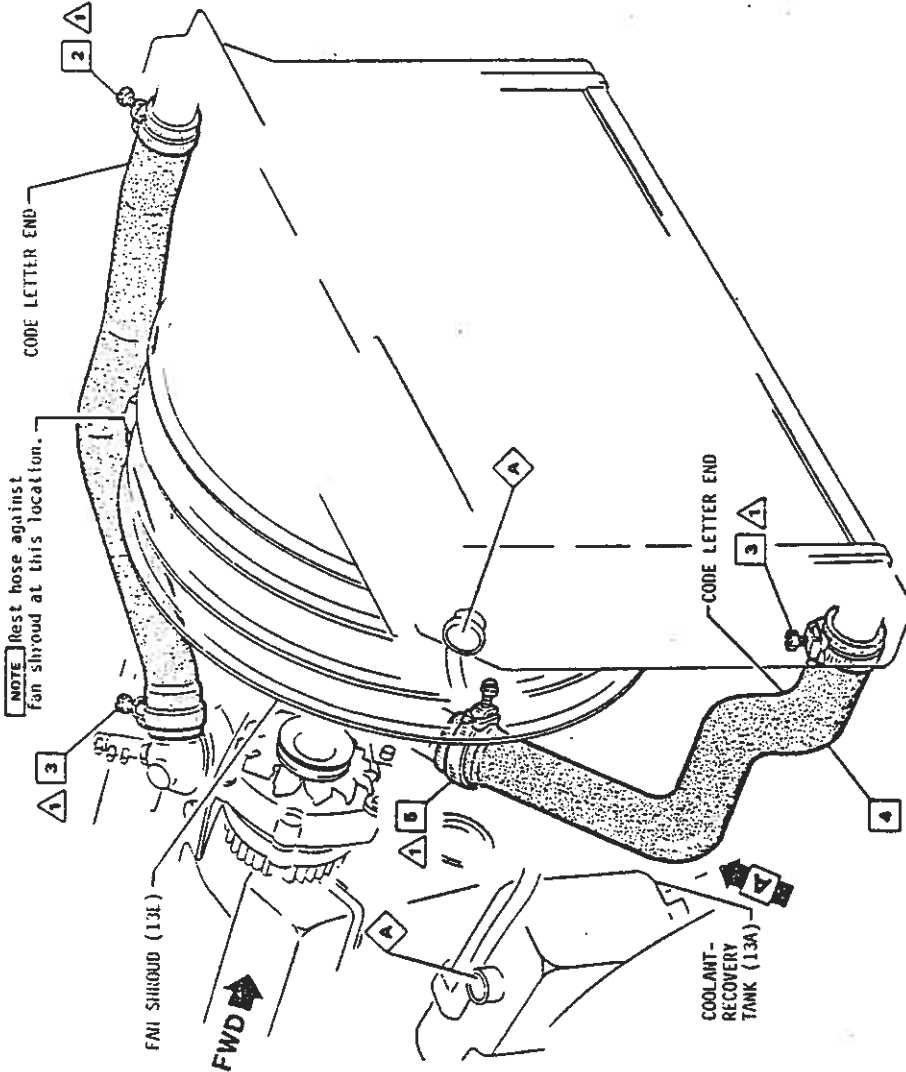


DYNAMIC (based on) (hard) (imp) (ft) (in)	34 - 48	DATE	09/02/80	SYN	1	REVISION	WAS 395666 & PULLEY A 841 WAS (etc C60) 85782(G)/INT			NOV	05/82	DE	05/82	ASB	07/82	DATE	07/82	DIV	CHEVROLET	1981 CHEV. "F" 14020867
<input type="checkbox"/> FULLY DRIVEN, STATED & NOT STIPPED																				
TITLE: CRANKSHAFT PULLEY FAUO & L39/LC3/LG4/LM1																				
REF: ECR 8644U C/O 16JAUO 6K-8.1																				
1-96436 (S) 1-98121 (S)																				
6K 7																				

PRODUCT DESCRIPTION MANUAL

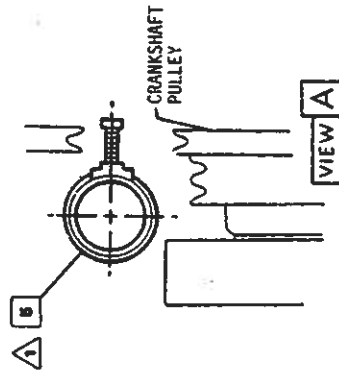
General Motors Corporation
CHEVROLET MOTOR DIVISION

EXISTING AS PAGE 01



- 1 HOSE-INLET
- 2 CLAMP ASM
- 3 CLAMP ASM
- 4 HOSE-OUTLET
- 5 CLAMP ASM
- △ 9985012

COOLANT As required to protect to -36.66° C (exc. Z49) or -34° F (-37° C) & Z49. See Engine Cooling System Capacity Chart 14023188 for proper quantity.



NOTE Rest hose against fan shroud at this location.

DYNAMIC (Resistor) - Part No. 2-6-3-2 (1)		DATE	SYN	REVISION	DATE	BY	CHK	APP	DATE	BY	CHK	APP
△	△	7-6-80	1	TORR (1) WAS 1.6-2.8	8-23-79	R. LINDNER			2-24-80			
△	△											
△	△											
△	△											
△	△											
206												
FULLY DRAWN, SEATED & NOT STRIPPED												
CS	△	△	△	△	△	△	△	△	△	△	△	△

1981 CHEV. "F" 14020867		RADIATOR HOSES & COOLANT	
FA00 ALC3		FA00 ALC3	
EIN 86488		1-20165 (S)	
C/O 204880		6K-9	
6K-9		6K	
8		8	



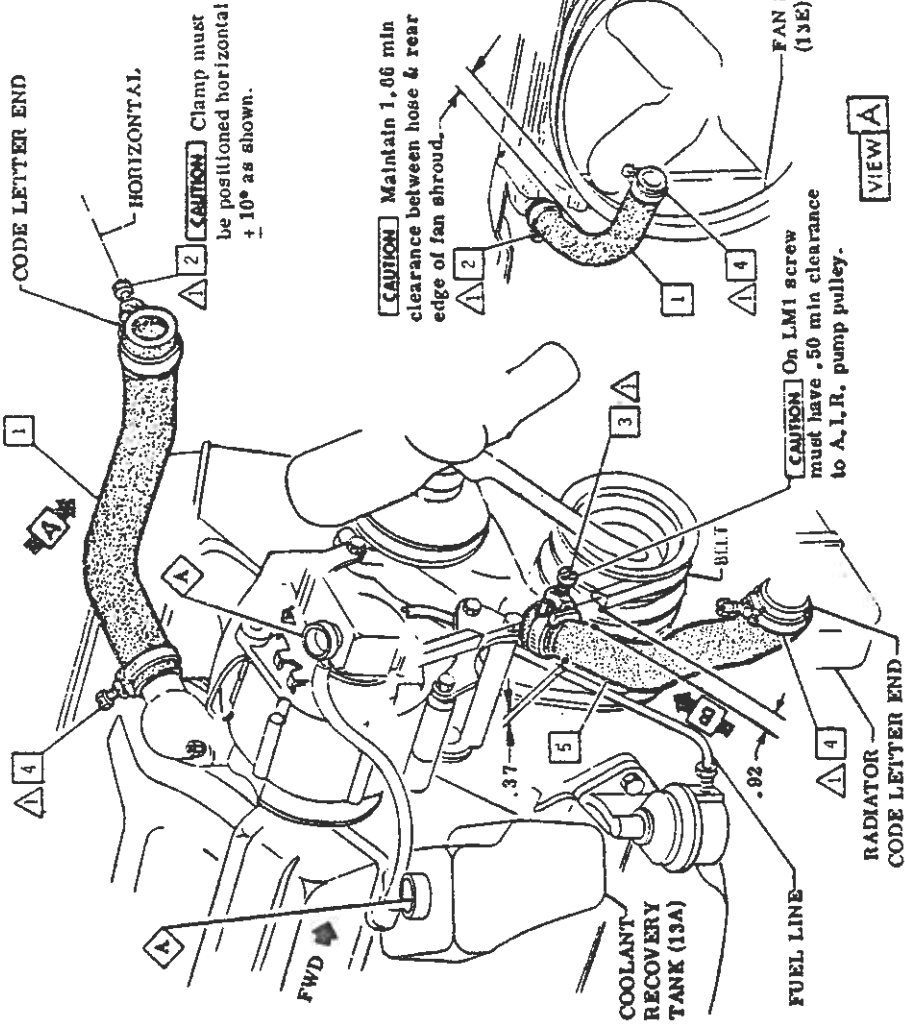
General Motors Corporation CHEVROLET MOTOR DIVISION

PRODUCT DESCRIPTION MANUAL

ITEM REFERENCE PROCESS MATERIAL TORQUE EXISTING AS PART OF

- 14013519 HOSE-INLET BLG4 or L39
- 14013520 LHM; 4C60 or Y08
- 9414932 CLAMP ASH
- 274765 CLAMP ASH
- 9437366 CLAMP ASH
- 360647 HOSE-OUTLET
- 9985012

COOLANT AS required to protect to -36.66° C. (exc. 749) or -34.0° F. (-37.0° C) 8Z49. See Engine Cooling System Capacity Chart 14023188 for proper quantity.



DATE	SYN	REVISION

DATE	BY	CHKD BY	DATE	BY	CHKD BY

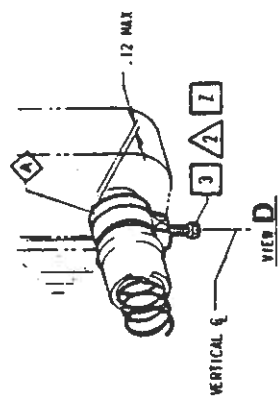
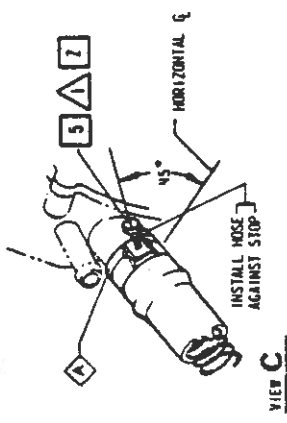
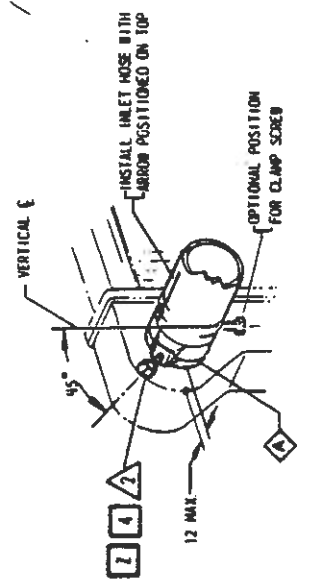
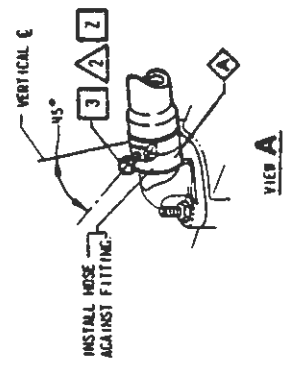
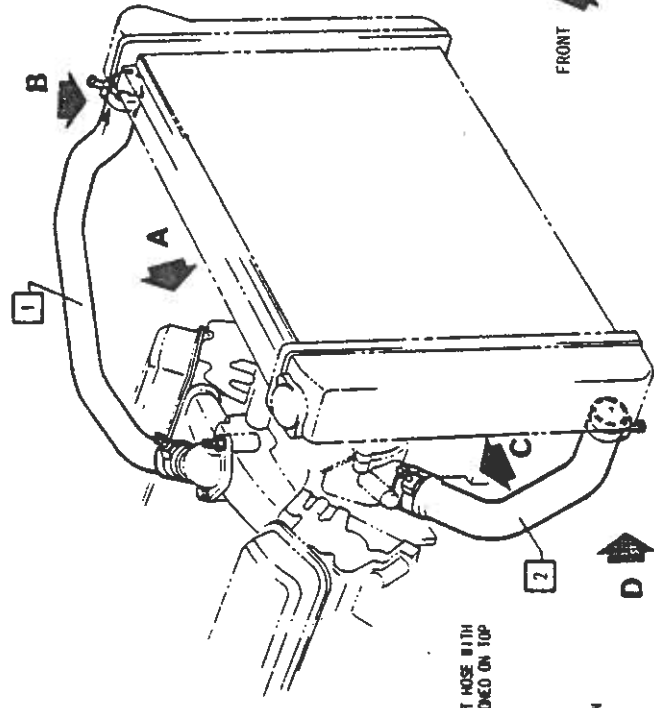
1981 CHEV. "F" 14020867	
RADIATOR HOSES & COOLANT	
FR00 & LG4/LM1/L39	
ECR 86448	1-91826 (S)
C/O 20MR80	6K
6K-11	10

FULLY DRIVEN, SEATED & HOT STRIPPER

PONTIAC MOTOR DIVISION
General Motors Corporation Pontiac, Michigan

PRODUCT DESCRIPTION MANUAL
EXISTING AS PART OF

- 1 HOSE-INLET (LP)
- 2 HOSE ASM. (HT) OUTLET
- 3 CLAMP
- 4 CLAMP
- 5 CLAMP
- A COOLANT MAY BE USED TO ASSIST RADIATOR HOSE INSTALLATION



7 SEE FASTENERS GENERAL INSTRUCTIONS (GROUP OA)

DATE	SYN	REVISION	AUTH	DE	CU	EN	CHK	DATE	18 0C 79	DIV	TITLE	SHEET
12/21/79			JC-448 (U)	AV				18 0C 79	18 0C 79	CHEVROLET	1981 CHEV. "F" 14020867	11
			D2222 (U)	ET				DR LUB/ENV			RADIATOR HOSES	
								EC F.A.H.A.			F ADD & LUB	
								APR 5				
								APR 5				
								APR 5				
								APR 5				
209												
REF ECR 86448 C/O 11DE79 6K-4 RL												

1.6 - 2.2
2.8 - 4.0
A FULLY DRIVEN, SCALLOP & NOT STOPPED

0 0 0 0 0 0 0 0 0 0 0 0 0

PONTIAC MOTOR DIVISION

General Motors Corporation

Pontiac, Michigan

PRODUCT DESCRIPTION MANUAL

ITEM REFERENCE PROCESS MATERIAL FORQUÉ EXISTING AS PART OF

COOLANT VOLUMES

COOLANT REQUIRED TO GIVE 50% SOLUTION
BY VOLUME WITH FREEZE POINT OF -37 C.

(1)

LD5	ENGINE	TRANS		COOLING		QUANTITY OF SOLUTION (LITRES)	TOTAL COOLING SYSTEM CAPACITY (LITRES)
		MAN	AUTO	C411 (C60) V08	V08		
X		X	X	X	X	6.6	13.2
		X	X	X	X	9.92	19.84
		X	X	X	X	10.2	20.4

GENERAL

FILL RADIATOR TO FILLER NECK. PUT 1.42 LITRES IN OVERFLOW RESERVOIR. CARE MUST BE TAKEN IN FILLING SYSTEM TO PREVENT DAMAGE TO CAR FINISH.

RADIATOR FILL REQUIREMENTS

ETHYLENE GLYCOL TWO YEAR COOLANT MEETING SPECIFICATION #9885012 (6K5) MANDATORY IN ALL SERIES YEAR AROUND TO PROVIDE AN INHIBITED COOLANT IN THE AMOUNTS TABULATED.

THESE VOLUMES INCLUDE 0.95 LITRE IN OVERFLOW RESERVOIR AFTER AIR IS PURGED OUT OF SYSTEM.

DATE 31 0C 79		DIV		1981 CHEV. "F" 14020867	
DE G. M. VERSTRAFFE		CHEVROLET		TITLE	
B.A.D.		CHEVROLET		CHART-COOLING SYSTEM FILL	
S		RIF ECR 865448		FA00 & LD5/LG4	
APP		C/O 26F80		①	
APP		6K-15 RL		SHEET	
APP		6K		12	

ISSUED
"LUB" REMOVED (2) PLACES

210

△ FULLY DRIVEN SEaled & NOT STRIPPED

△/△/△/△/△/△

△/△/△/△/△/△

PRODUCT DESCRIPTION MANUAL

EXISTING AS PART OF

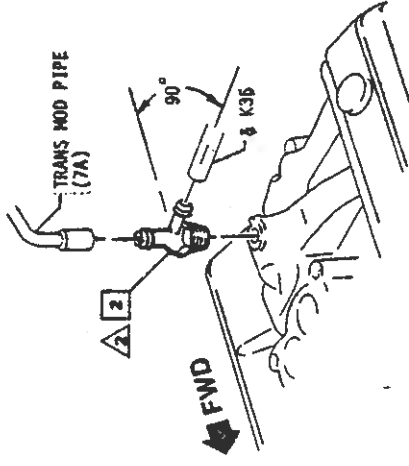
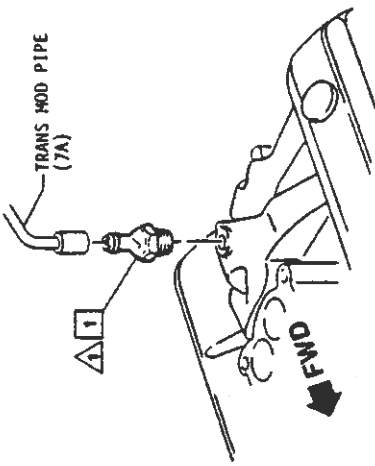
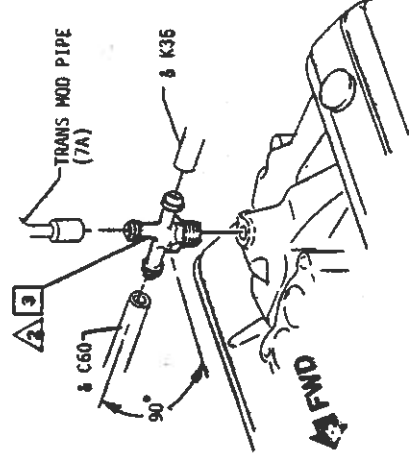
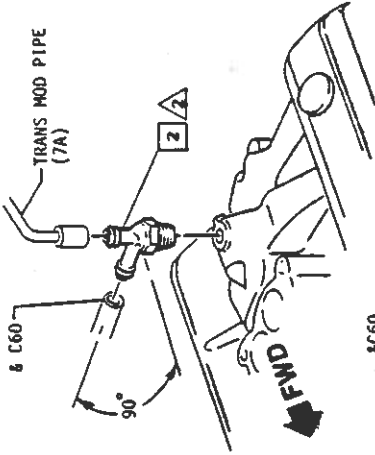
PROCESS MATERIAL

ITEM REFERENCE

General Motors Corporation
CHEVROLET MOTOR DIVISION



- 14017791 1 FITTING
- 14017792 2 FITTING
- 14020680 3 FITTING



WAITING LAYOUT APPROVAL

*Plus torque required to align fitting.

DATE	SYN	REVISION	APP	DR	EN	DR	DATE	DIV	TITLE	SHEET
2/20/80	1	MX3 OPTION ADDED					07 FEB 80	CHEVROLET	1981 CHEV. "F" 14020867	1
							DR E. LUTHI		VACUUM FITTINGS	
							BY Jim Dwyer-JN		FA00 & L64 & M33; & LMI & M33	
							APP NS		1- (NS)	
							APP	IMP ECR 86448		
							APP	C/O 25JABO		
								6L-1	6L	

QUALITY DRAWING, SEATED & NOT STAMPED

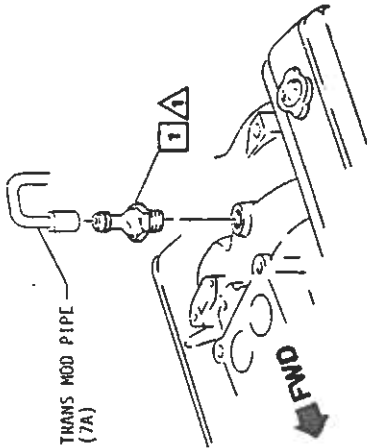
CH X X X X X X X X X X X X



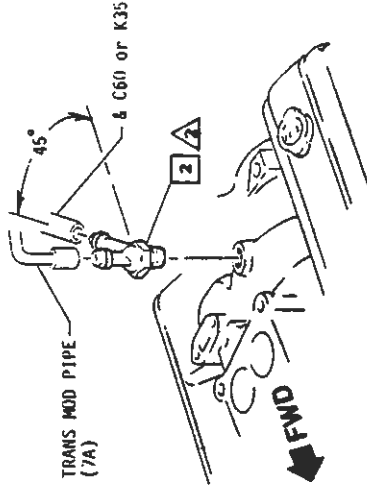
General Motors Corporation
CHEVROLET MOTOR DIVISION

PRODUCT DESCRIPTION MANUAL

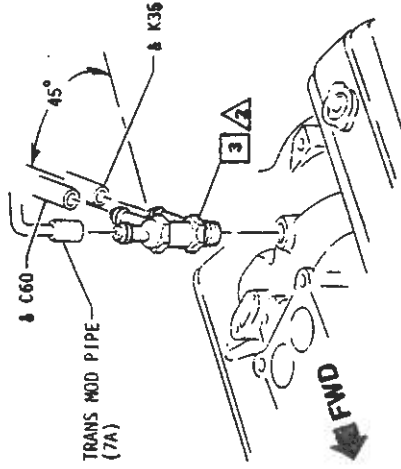
ITEM REFERENCE PROCESS MATERIAL TORQUE EXISTING AS PART OF



(exc K35)



& C60 or K35



& C60 & K35

- 14017791 FITTING
- 14017792 FITTING
- 14017793 FITTING

WAITING LIGHT APPROVAL

DYNAMIC (baseline)	ITEM	DATE	SYM	REVISION	40IN	DR	CE	CHK	DATE	DIV	TIRE	WPC	SHEET
Δ 11 - 14.	1	12JUN80		OPTIONS & MV4 or M33 ADDED	80023	E.LUTH			07 FEB 80	CHEVROLET	1981 CHEV. "F" 14020867		2
Δ 11 - *						<i>Chris Johnson</i>					VACUUM FITTINGS FA00 & L39 & MV4 or M33		
Δ						NS					(NS)	6L	
Δ													
Δ													
Δ													
FULLY DRIVEN, SERVICED & NOT STRIPPED													
<input checked="" type="checkbox"/> 0 <input type="checkbox"/> 1 <input type="checkbox"/> 2 <input checked="" type="checkbox"/> 3 <input type="checkbox"/> 4 <input type="checkbox"/> 5													

*Plus torque required to align fitting.

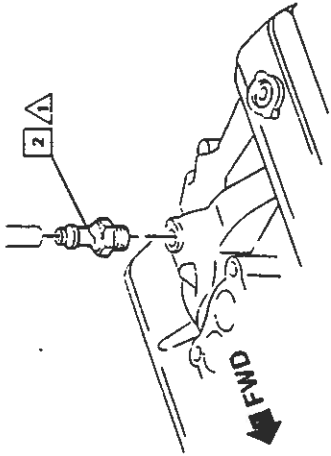
212

PRODUCT DESCRIPTION MANUAL

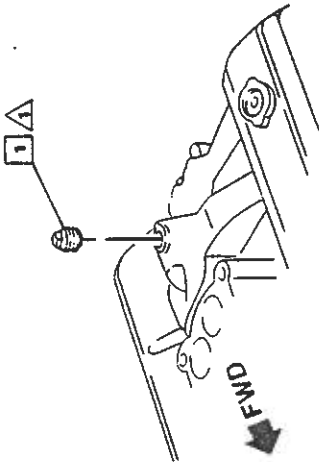
General Motors Corporation
CHEVROLET MOTOR DIVISION

ITEM REFERENCE PROCESS MATERIAL 100% QDC EXISTING AS PART OF

- 445673 1 PLUG
- 445686 1 OPT
- 14017791 2 FITTING



& C60



(exc C60)

WAITING LAYOUT APPROVAL

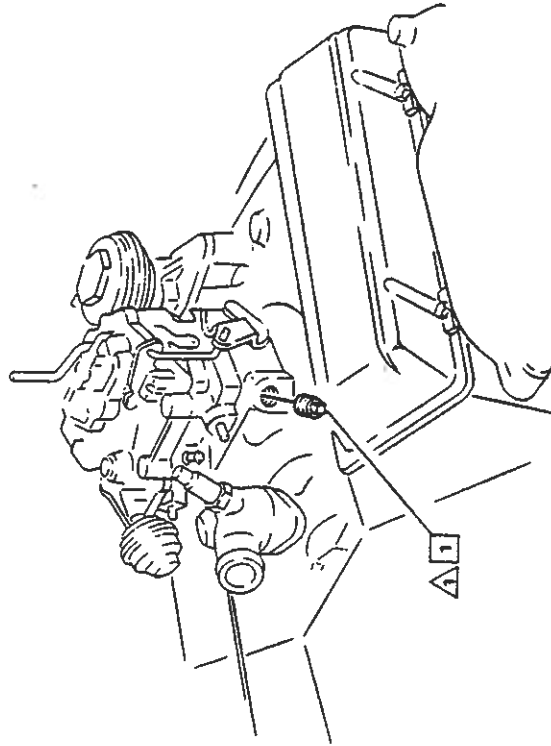
DYNAMIC (Instal) N ^o	HAND (Instal) N ^o	DATE	SYM	REVISION	AUTH	OR	OR	OR	DATE	APP ^{ROVAL}	DR	DIV	TITLE	SHEET
△ 11-14												CHEVROLET	VACUUM FITTINGS FA00 & LC3 & M64; & LG4 & M24	4
△ JULY DRIVEN, SEALED & NOT STOPPED					214							DET EGR 86448 C/D 25JAU0 6L-4	1-(MS) 1- 1- 1-	6L

C B 0 P G

PRODUCT DESCRIPTION MANUAL

ITEM REFERENCE PROCESS MATERIAL TORQUE EXISTING AS PART OF

+445673 1 PLUG
 +445686 2 OPT



WAITING LAYOUT APPROVAL

DYNAMIC (Insert) 4" x 6" HARD (Imp.) - Nm	DATE	SYM	REVISION	AUTH	DR	CU	ISS	DATE	DIV	TITLE	UPC	SHEET
<input checked="" type="checkbox"/> 11-14								14.FE.50	CHEVROLET	1981 CHEV. "F" 14020867		7
<input checked="" type="checkbox"/> FULLY BOREH. SEALCO & NOT STRIPPED								OF F LUTH	CHEVROLET	INITIAL MANIFOLD PLUG		
								TO R. L. L. L. L. L. L. R. C.	REFCR 86438	FAUC & LC3		
								APPR NS	C/O 05FE80	(NS)	6L	
								APPR	6L-7			
								APPR				
								APPR				
								APPR				

215

U B O P Co

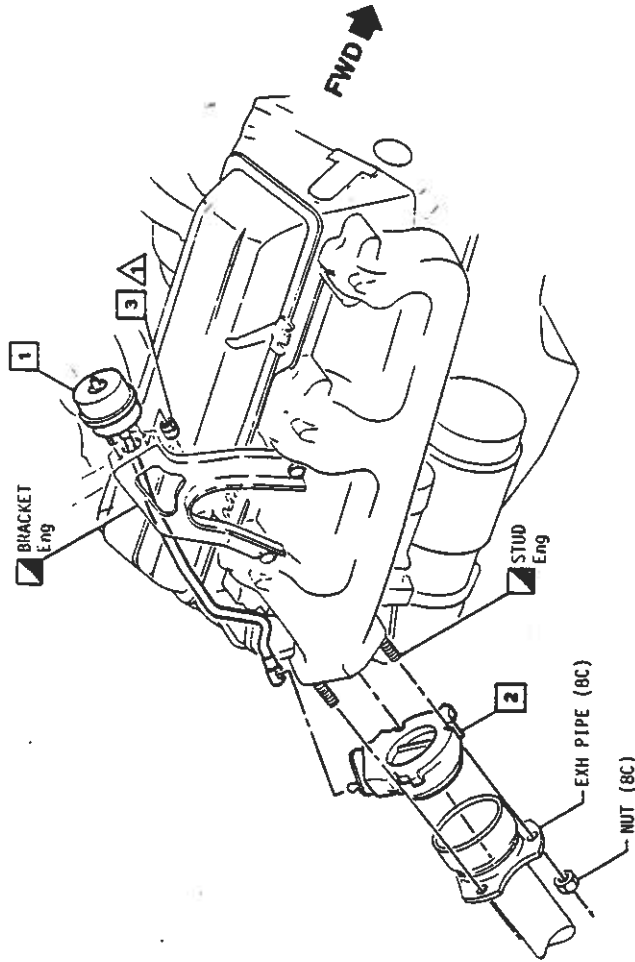


General Motors Corporation
CHEVROLET MOTOR DIVISION

PRODUCT DESCRIPTION MANUAL

ITEM REFERENCE PROCESS MATERIAL TORQUE EXISTING AS PART OF

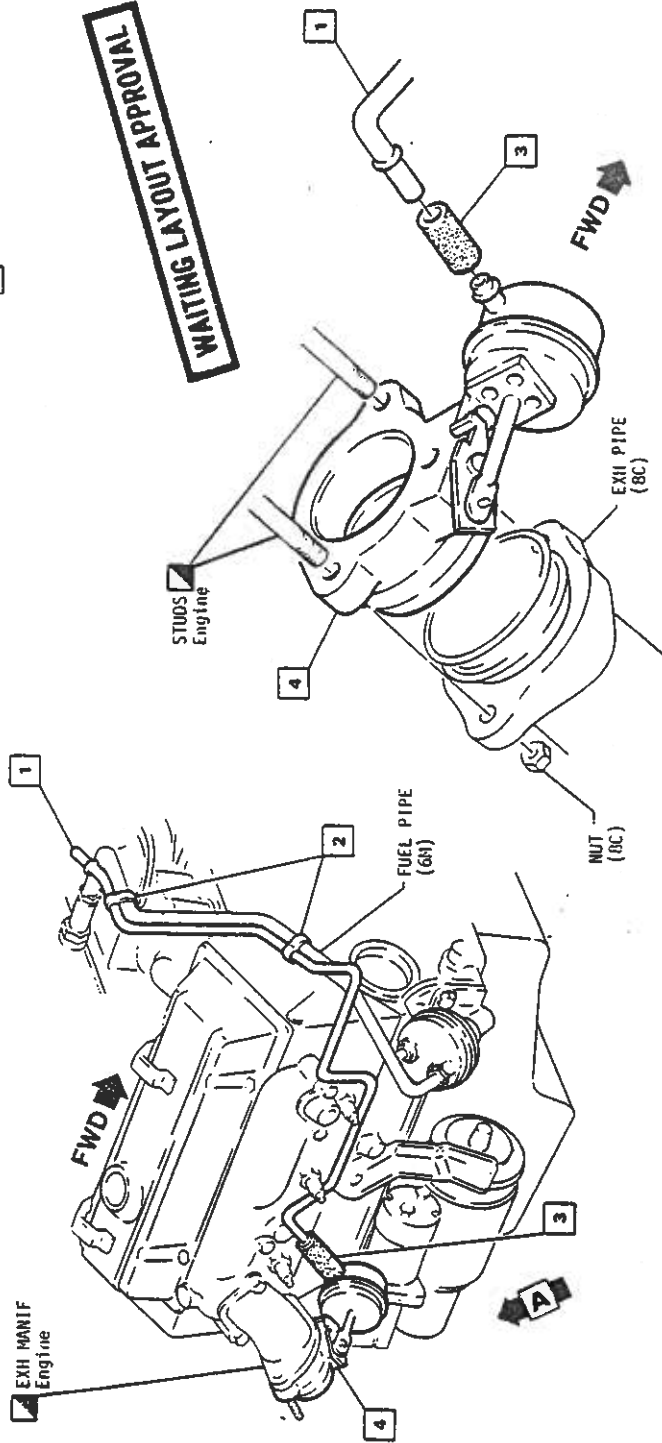
- 1996636 1 ACTUATOR & ROD ASM
- 355915 2 VALVE ASM
- 11503647 3 NUT ASM



WAITING LAYOUT APPROVAL

DYNAMIC (Inch) / mm	HAND (Imp) / P _{in}	DATE	SYM	REVISION	AUTH	DE	CE	SA	DATE	DRAWN BY	DIV	TITLE	SHEET
△ 2.2-3.4										DR E. LUTH (EX. CHRYSLER)	CHEVROLET	1981 CHEV. "F" 14020867	8
△ FULLY DRIVEN, SEALED & NOT SERVICED										APP NS	REF ECR 86440 C/O 29JARGO 6L-8	EXHAUST HEAT VALVE & ACTUATOR FA00 & L39/LG4/LM1	6L
										APP NS			
										APP NS			
										APP NS			
										APP NS			

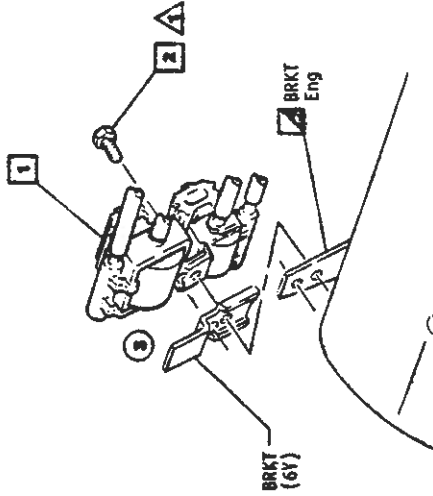
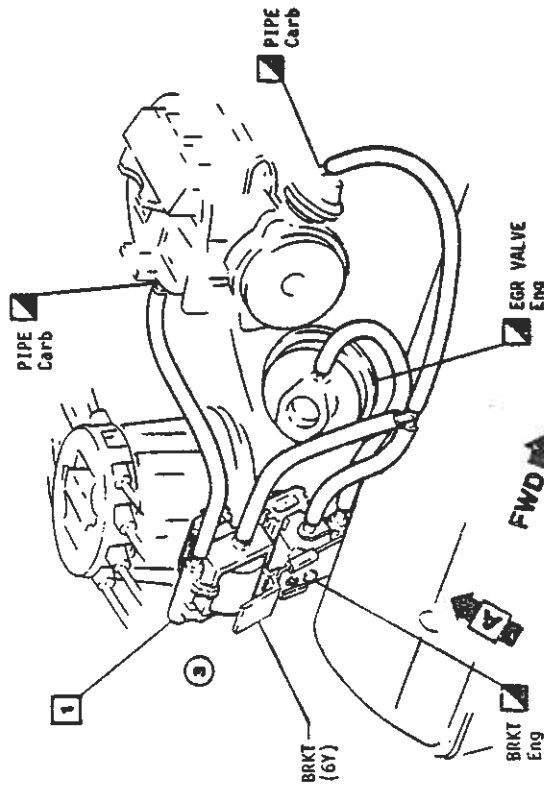
- 14023129 1 PIPE
- 460796 2 CLIP
- 326560 3 HOSE
- 5233475 4 VALVE & ACTUATOR ASM



DYNAMIC (Check)	HARD (Imp)	Wm	DATE	SYM	REVISION	AUTH	DR	CK	FOR	DATE	BY	DIV	TITLE	IPC	SHEET
△	△									07 FEB 80	DL E. LUTH	CHEVROLET	1981 CHEV. "F" 14020867		9
△	△									10 APR 80	CE Chris Dwyer-JH		E.F.E VALVE & PIPE F400 8LC3		
△	△									APR NS	APR NS				
△	△									APR	APR				
△	△									APR	APR				
217															
△ FULLY DRIVEN, SEALED & NOT SIMPLIFIED															
1	0	0	0	0	0	0	0	0	0	0	0	0		6L	

□ ITEM REFERENCE ◊ PROCESS MATERIAL △ EXISTING AS PART OF

- ④ 14034060 ① HARN ASH-EGR VAC
- ① 11504067 ② BOLT/SCREW



VIEW A

WAITING LAYOUT APPROVAL

DYNAMIC (last)	DATE	REV	BY	REVISION	DATE	BY	CHK	APP	DIV	ITEM	QTY	UNIT	PRICE	TOTAL
△	02/19/80	1	DR R KOCH	"1150 4067" ADDED	02/19/80	DR R KOCH			CHEVROLET	5				
△		2		"(EGR VMS)" REMOVED						5				
△		3		ITEM 1 DWG FIRST REV - 2 PLCS										
△		4		WAS 1997517 SOLE-NO										
△		5		TITLE & OPTIONS REV										
FULLY DRIVEN SEATED & NOT STOPPED 0 0 0 0 0 0 0 0 0 0										6L		12		

1981 CHEV. "F" 14020867

HARN ASH-EGR VAC CONT

⑤

FA00 8L64 8NVA 8MB1 LK1 8MX3 8MB1



CHEVROLET

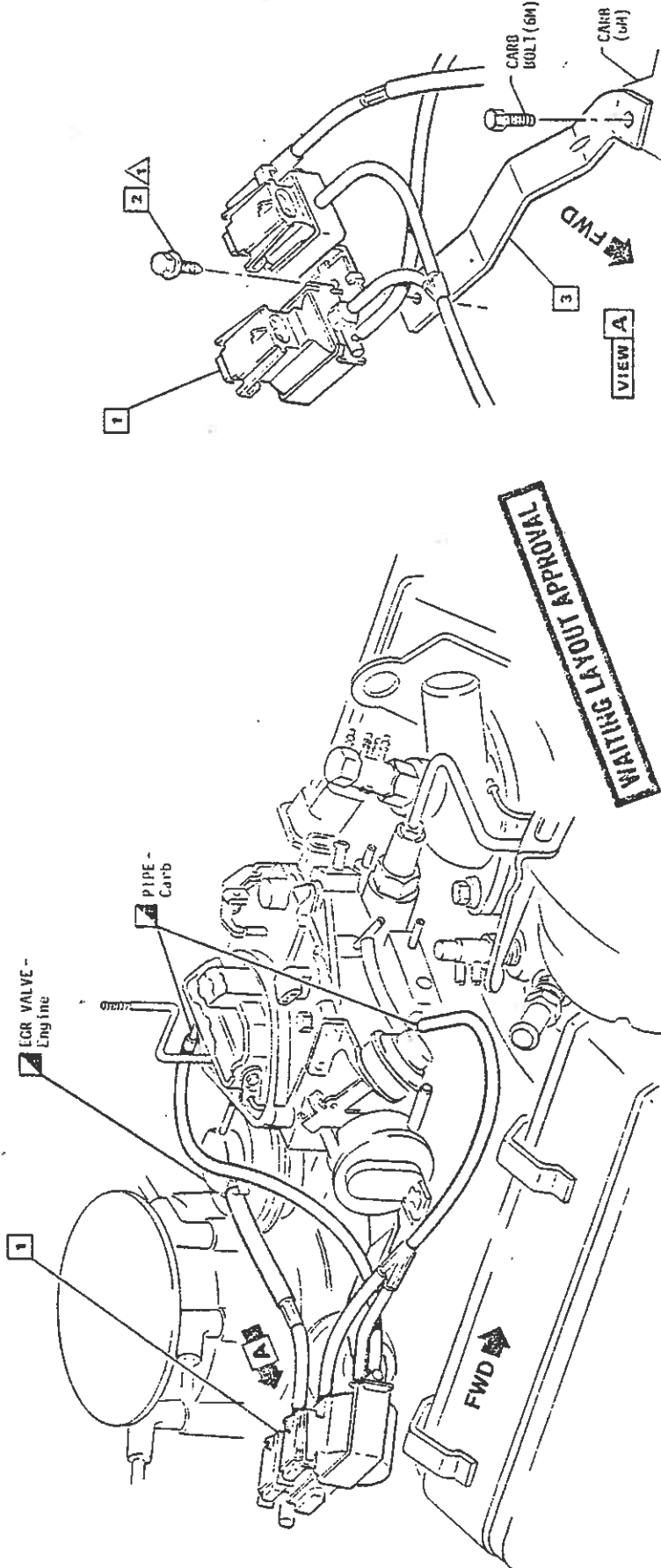
ECR 8644B
 NEM 28FE80

145

UPC

SHEET

- ⑦ 14034057 EGR VAC HARNESS ASH
- ① 11504067 BOLT/SCREW
- ② 14025012 BRACKET



DATE	SYN	REVISION	REV	BY	CHK	DATE	BY	CHK	APP	APP	APP	APP
11/10/80	1	IMPS SOLENOID ASM EGR CONT REV PART NO. ADDED	RE	DLR	DLR	11/10/80	DLR	DLR	DLR	DLR	DLR	DLR
11/10/80	2	TITLE REVISED	RE	DLR	DLR	11/10/80	DLR	DLR	DLR	DLR	DLR	DLR
11/10/80	3	REVISED	RE	DLR	DLR	11/10/80	DLR	DLR	DLR	DLR	DLR	DLR

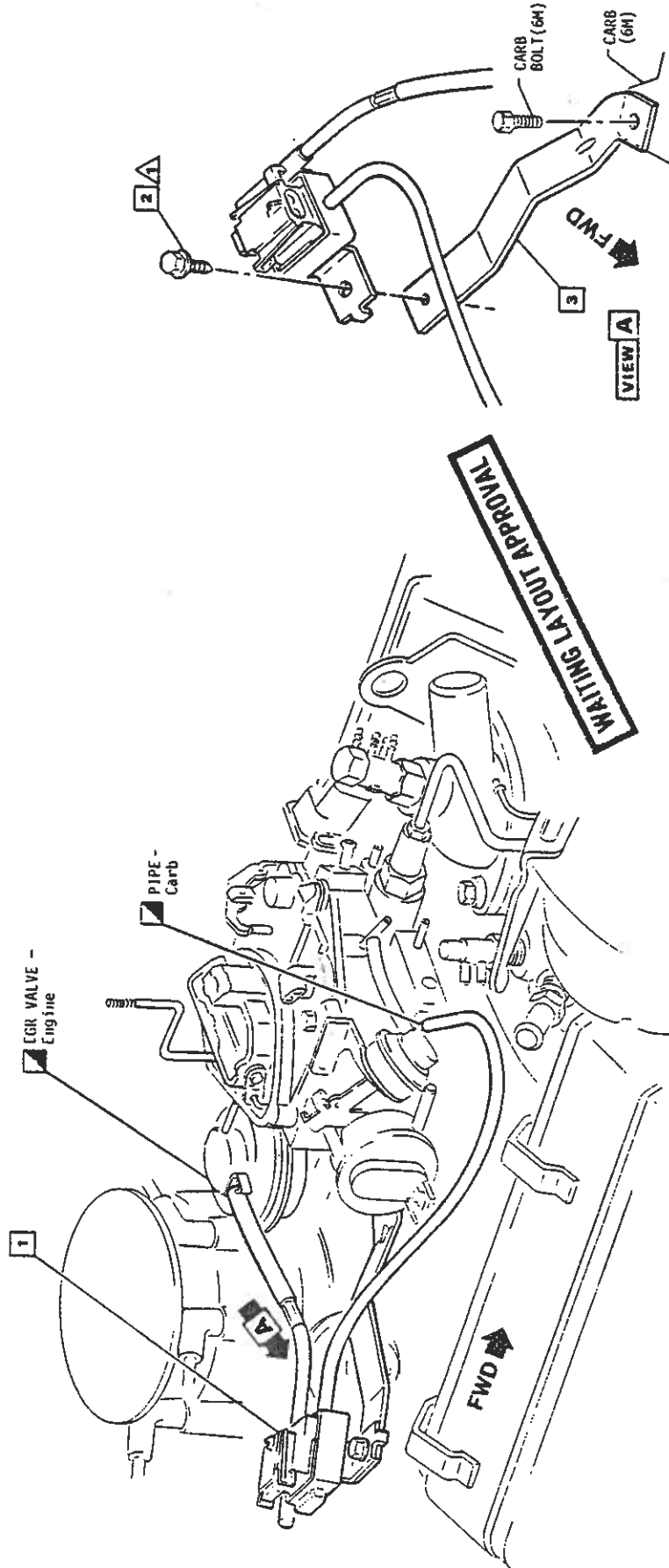
1981 CHEV. "F" 14020867
 TITLE ② EGR VACUUM HARNESS ASH ③
 F400 & LC3 & 131 & RB1
 CHEVROLET
 NEW 25HR80
 6L
 SHEET 15

△ FULLY DRAWN, SECTED & NOT STRIPPED
 C X I 0 P G

PRODUCT DESCRIPTION MANUAL

ITEM REFERENCE PROCESS MATERIAL TORQUE EXISTING AS PART OF

- ① 14034055 EGR VAC HARN ASM
- ② 11504067 BOLT/SCREW
- ③ 14029012 BRACKET



DYNAMIC (list) HAND (loop) N/m		DATE	SYM	REVISION	AUTH	DR	CR	EST	DATE	DATE	DIV	TITLE	
△	+	22AUB0	1	WAS SOLENOID ASM EGR CONT VALV # 1 PART. NO. ADDED	89798	CU	RE		01	11AP80	CHEVROLET	1981 CHEV. "F" 14020867	
△			2	TITLE REVISED								EGR VACUUM HARNESS ASM	
△												FA00 BLC3 8464 8481	
△												UPC	
△												6L	
△												SHEET	
△												16	
FULLY DRAWN, SEALED & NOT STRIPPED													

224



General Motors Corporation
CHEVROLET MOTOR DIVISION

PRODUCT DESCRIPTION MANUAL
 ITEM REFERENCE PROCESS MATERIAL TORQUE EXISTING AS PART OF

UPC	SHEET	C/O	NEW OR	TITLE	DIV	REF	UPC	SHEET	C/O	NEW OR	TITLE	DIV	RESP
6M	ENGINE FUEL SYSTEM				C		6N4	THROTTLE SPEED CONTROL				C	
6M	1 N CONTENTS (6M THRU 6O)				C		6N4	C1 N SERVO UNIT BRKTS....LC1/L39/LU5				C	
6M	2 N CONTENTS (6I THRU 6Z)				C		6N4	C2 N SERVO UNJY....LC1/L39/LU5				C	
6M	C1 C CARBURETOR....L39				C		6N4	C3 N TRANS-DUCER MOUNTING....K35				C	
6M	C2 N FUEL PUMP....L39 OR LUS				C		6N4	C4 N TUBE ROUTING....LC1				C	
6M	C3 N AIR CLEANER....LC1				C		6N4	C5 N TUBE ROUTING....L39				C	
6M	C4 C AIR CLEANER....L39				C		6N4	C6 N TUBE ROUTING....LU5				C	
6M	C5 N AIR CLEANER....LU5				C		6N4	C7 N VAC VALVE RELEASE....K35				C	
6M	C6 N MODULE-ELECTRONIC CONTROL....M81				C		6N4	P1 N CABLE ROUTING & ADJUSTMENT....LQ9				C	
6M	C7 N MANIF DIFF P/PRESSURE SENSOR....M18 OR M26				C		6N4	P2 N VACUUM TUBE DIAGRAM....LQ9				P	
6M	C8 N MANIF DIFF P/PRESSURE SENSOR....M19				C		6N4	P3 N SERVO UNIT....LQ9				P	
6M	C9 N EXHAUST OXYGEN SENSOR....L39 OR LUS				C		6N4	N HOSE ROUTING-ENG COMPT....LQ9				P	
6M	C10 N EXHAUST SENSOR ASM....LC1				C								
6M	P1 N AIR CLEANER....LQ9				P								
6M	P2 N ENGINE HEAT CONTROL....LQ9				P								
6M	P3 N CARB AIR INTAKE....LQ9				P								
6M	P4 N AIR FUEL SENSOR....LQ9				P								
6M	P5 N E-C-U. MOUNTING....M81				P								
6M	P6 N MANIFOLD VACUUM SENSOR MTG....LQ9				P								
6M	P7 N SENSOR HOSE ROUTING....LQ9				P								
6N2	THROTTLE CONTROL				C		6Q	ENGINE/TRANSMISSION MOUNTING				C	
6N2	C1 N ACCELERATOR CONTROLS-PASS COMPT				C		6Q	C1 N ENGINE MOUNTING BRKT....LC1				C	
6N2	C2 N ACCELERATOR CONTROLS-ENG COMPT....LC1				C		6Q	C2 N ENGINE MOUNTING BRKT....L39 OR LUS				C	
6N2	C3 N ACCELERATOR CONTROLS-ENG COMPT....L39				C		6Q	C3 N ENGINE MOUNTING....LC1				C	
6N2	C4 N ACCELERATOR CONTROLS-ENG COMPT....LU5				C		6Q	C4 N ENGINE MOUNTING....L39 OR LUS				C	
6N2	P1 N ACCELERATOR CONTROLS-ENG COMPT....LQ9				P		6Q	C5 N TRANS MOUNTING....LC1				C	
					C		6Q	C6 N TRANS MOUNTING....L39 OR LUS				C	
					C		6Q	C7 N TRANS MOUNTING....LQ9				C	
					C		6Q	P1 N ENG MOUNT BOLT LOCATION....LQ9				C	
					C		6Q	P2 N ENGINE MOUNTING....LQ9 & M18 OR M26				P	
					C		6Q	P3 N TRANS MOUNTING....LQ9 & M18 OR M26				P	
					C		6Q	P4 N TRANS MOUNTING....LQ9 & M19				P	

DYNAMIC (Instal) - W/m		DATE	SW	REVISION	MIN	DN	CC	DATE	DIV	1982 "F" CHEV 14036164		SHEET 1	
<input type="checkbox"/>	<input type="checkbox"/>							DR R.C. TAYLOR		TITLE			
<input type="checkbox"/>	<input type="checkbox"/>							CE 108-Sub HB		CONTENTS-ENGINE			
<input type="checkbox"/>	<input type="checkbox"/>							APP		FA00(00) ALL (6M THRU 6Q)			
<input type="checkbox"/>	<input type="checkbox"/>							APP		CHEVROLET			
<input type="checkbox"/>	<input type="checkbox"/>							APP		REF ECR 91284			
<input type="checkbox"/>	<input type="checkbox"/>							APP		NEW 12AUBO		6M	
<input type="checkbox"/> FULLY DRAWN, SEATED & NOT STRIPPED													

C O P C



General Motors Corporation
CHEVROLET MOTOR DIVISION

PRODUCT DESCRIPTION MANUAL

ITEM REFERENCE PROCESS MATERIAL TORQUE EXISTING AS PART OF

DIV	RESP	DESCRIPTION
6Q-1	D	ENGINE MOUNT BOLT LOCATION ON FRAME
6Q-2	C	ENGINE MOUNTING
6Q-3	C	ENGINE MOUNTING BRACKET
6Q-4	C	ENGINE MOUNTING
6Q-5	P	ENGINE MOUNTING
6Q-6	C	CANCELED
6Q-7	C	TRANSMISSION MOUNTING
6Q-8	P	TRANSMISSION MOUNTING

DIV	RESP	DESCRIPTION
6T-1	C	A.I.R. HUMP
6T-2	C	CANCELED
6T-2.1	C	CANCELED
6T-3	C	VALVE ASM-A.I.R. CONTROL SWITCHING
6T-3.1	C	A.I.R. DIVERTER VALVE
6T-3.2	C	AIR CONTROL VALVE & FILTER
6T-4	C	OPEN
6T-5	P	A.I.R. PUMP & MOUNTING BRACKET
6T-6	C	A.I.R. HOSES
6T-7	C	A.I.R. HOSES
6T-7.1	C	A.I.R. HOSES TO AIR CLEANER
6T-7.2	C	A.I.R. HOSES
6T-8	C	A.I.R. HOSES
6T-9	C	CANCELED
6T-9.1	C	CANCELED
6T-10	C	A.I.R. PIPES & CHECK VALVE
6T-10.1	C	A.I.R. PIPES & CHECK VALVE
6T-11	C	A.I.R. PIPES & CHECK VALVE
6T-12	C	A.I.R. CATALYTIC CONVERTER PIPE
6T-13	C	A.I.R. CATALYTIC CONVERTER PIPE
6T-14	C	CANCELED

.....LC3/LG4/LM1/L39 & K19
.....LC3/LG4/LM1/L39
.....LM1 & M38 & NM4
.....LM1 & M24 & NM4
.....LDS
.....LC3
.....LG4/LM1/L39
.....LC3/LG4/LM1/L39
.....LM1 & K19 & NM4
.....LDS
.....LG4/LM1/L39
.....LM1 & K19 & NM4
.....LC3
.....LC3
.....LG4/LM1/L39
.....LC3

DATE	SYM	REVISION	ANTH	DB	DL	REV	DATE	DIV	TITLE
1970-08-10	1	SHT 6Q-6 ENG MTG LUB CANC					05/19/80	CHEVROLET	1981 CHEV. "F" 14020867
	2	L55 WAS LUB							CONTENTS-ENGINE
	3	SHT 6T-2 AIR PUMP MTG LUB ENBI CANC							FAOD ALL (6Q Thru 6T)
	4	SHT 6T-2.1 AIR PUMP ASM MTG LUB ENBI CANC							
	5	SHT 6T-9 AIR HOSES LUB ENBI CANC							
	6	SHT 6T-9.1 AIR HOSES LUB ENBI CANC							
	7	SHT 6T-14 CONV AIR FEED PIPES LUB ENBI CANC							
			9/22/80				226	IT ECR 86A48 NEW 22M80	6M
									1.1



General Motors Corporation
CHEVROLET MOTOR DIVISION

PRODUCT DESCRIPTION MANUAL

ITEM REFERENCE PROCESS MATERIAL TORQUE EXISTING AS PART OF

NEW OR C/O	SHEET	TITLE	DIV	NEW OR C/O	SHEET	TITLE	DIV
NEW	61	AIR INJECTION REACTOR	KESP	NEW	62	MISCELLANEOUS INFORMATION	RESP

NEW OR C/O	SHEET	TITLE	DIV	NEW OR C/O	SHEET	TITLE	DIV
C1		N A.I.R. PUMP MOUNTING....LC1	C	C1		N BELT TENSIONING....LC1/L39/LU5	C
C2		N A.I.R. PUMP MOUNTING....L39 OR LU5	C	C2		N PULLEY ALIGNMENT....LC1/L39/LU5	C
C3		N VALVE ASM-A.I.R. CONT SWITCH....LC1/L39/LU5	C	C3		N BELT ROUTING....LC1	C
C4		N A.I.R. HOSES....LC1	C	C4		N BELT ROUTING....L39 OR LU5	C
C5		N A.I.R. HOSES....L39 OR LU5	C	C5		N EMISSION HOSE ROUTING....LC1	C
C6		N A.I.R. HOSES TO AIR CLEANER....LC1/L39/LU5	C	C6		N EMISSION CONTROLS....L39 & M18 OR M26	C
C7		N DECELERATION VALVE....LC1	C	C7		N EMISSION CONTROLS....L39 & MV9	C
C8		N DECEL VALVE HOSE ROUTING....LC1	C	C8		N EMISSION CONTROLS....LU5 & M18 OR M26	C
C9		N A.I.R. PIPES & CHECK VALVE....L39 OR LU5	C	C9		N EMISSION CONTROLS....LU5 & MV9	C
C10		N A.I.R. CAT. CONV PIPE....LC1	C	P1		N BELT TENSIONING SPECS....LQ9	P
C11		N A.I.R. CAT. CONV PIPE....L39 OR LU5	C	P2		N BELT & PULLEY DIAGRAM....LQ9	P
				P3		N EMISSION HOSES-REF....LQ9 & C41	P
				P4		N EMISSION HOSES-REF....LQ9 & C60	P

NEW OR C/O	SHEET	TITLE	DIV	NEW OR C/O	SHEET	TITLE	DIV
NEW	6Y	ENGINE ELECTRICAL SYSTEM	KESP	NEW	6Z	MISCELLANEOUS INFORMATION	RESP
C1		N GENERATOR MOUNTING....LC1 & C41	C				
C2		N GENERATOR MOUNTING....LC1 & C60	C				
C3		N GENERATOR MOUNTING....L39 OR LU5	C				
C4		N STARTING MOTOR....LC1	C				
C5		N STARTING MOTOR....L39 OR LU5	C				
C6		N STARTER MOTOR SHIM (REPAIR)....LC1/L39/LU5	C				
C7		N SPARK PLUG WIRE CLEARANCE RH....LC1	C				
C8		N SPARK PLUG WIRE CLEARANCE LH....LC1	C				
C9		N SPARK PLUG SHIELDS....L39 OR LU5	C				
C10		N SPARK PLUG WIRING RIGHT SIDE....L39 OR LU5	C				
C11		N SPARK PLUG WIRING LEFT SIDE....L39 OR LU5	C				
C12		N EMISSION HOSES....L39 & M18 OR M26	C				
C13		N EMISSION HOSES....L39 & MV9	C				
C14		N EMISSION HOSES....LU5 & M18 OR M26	C				
C15		N EMISSION HOSES....LU5 & MV9	C				
P1		N GENERATOR MOUNTING....LQ9 & C41	P				
P2		N STARTER MOTOR....LQ9	P				
P3		N ENGINE GROUND STRAP....LQ9	P				
P4		N SPARK PLUG WIRING-REF....LQ9	P				
P5		N EMISSION HOSES....LQ9 & C41	P				
P6		N EMISSION HOSES....LQ9 & C60	P				
P7		N EMISSION HOSES....LQ9 & C60	P				

DYNAMIC (tested) Item	MAND (Imp.)	Item	DATE	SYM	REVISION	AUTH	DR	CS	REV	DATE	DIV
										23AUBO	1982 "F" CHEV 14036164
											CHEVROLET
											CONTENTS-ENGINE FA00(00) ALL (6T THRU 6Z)
											ECR 91284
											NEW 12AUBO
											UPC
											6M
											SHEET
											2

△ FULLY BURNED, SEALED & NOT STRIPPED

C 0 0 0 P Cg

PRODUCT DESCRIPTION MANUAL

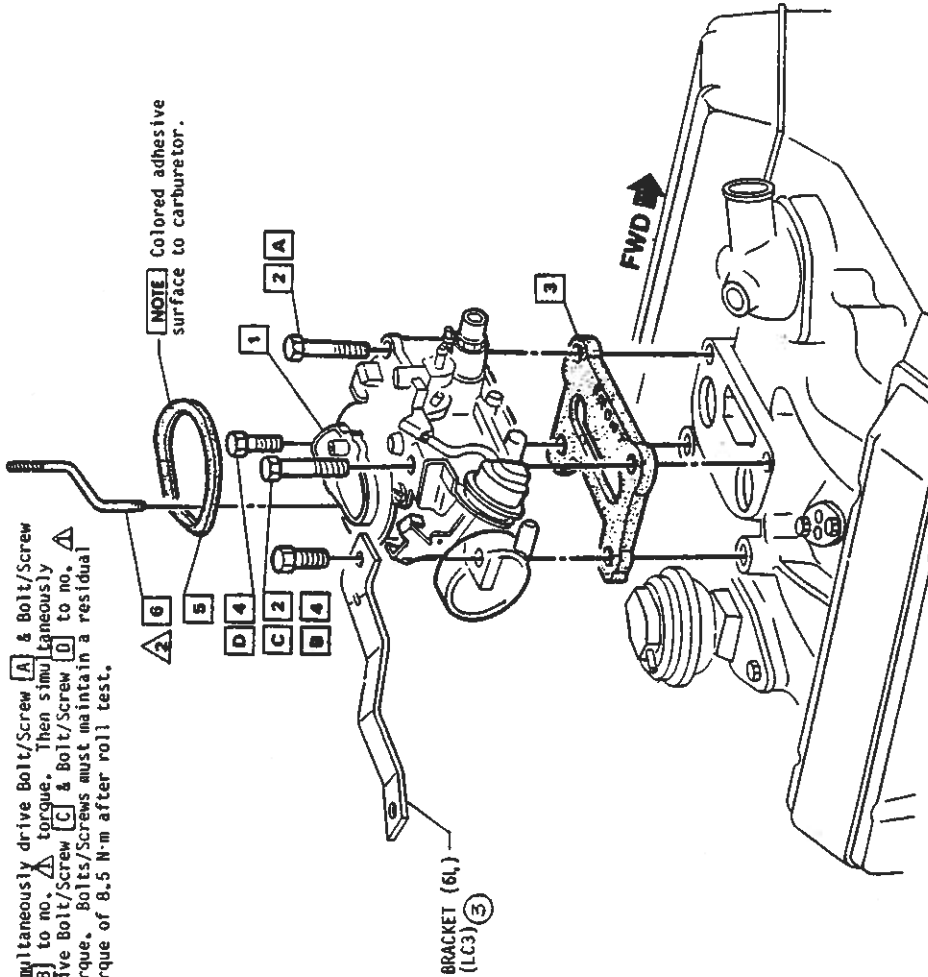
ITEM REFERENCE PROCESS MATERIAL TORQUE EXISTING AS PART OF

General Motors Corporation
CHEVROLET MOTOR DIVISION

ATTACHING BOLT/SCREW TORQUE SEQUENCE

Simultaneously drive Bolt/Screw [A] & Bolt/Screw [B] to no. Δ torque. Then simultaneously drive Bolt/Screw [C] & Bolt/Screw [D] to no. Δ torque. Bolts/Screws must maintain a residual torque of 8.5 N·m after roll test.

NOTE Colored adhesive surface to carburetor.



- | | | |
|------------|---|---|
| ② 17081134 | 1 | CARB ASM (SHOWN) For specific releasing & additional part numbers, see Parts List. |
| 9419047 | 2 | BOLT/SCREEN-CARB FRONT |
| ④ 14005211 | 3 | INSULATOR ASM (SHOWN) For specific releasing & additional part numbers, see Parts List. |
| 9419032 | 4 | BOLT/SCREEN-CARB REAR |
| ⑦ 14031138 | 5 | SEAL |
| ② | 6 | STUD |

DYNAMIC HAND (Imp.) - Nm		DATE		SYM		REVISION		DATE		O/F/E/S/O		DIV		1981 CHEV. "F" 14020867	
Δ 14-19		2/21/80		1		1403/38 WAS 2550 2695					DR R. LINDNER		CHEVROLET	TITLE	
Δ 4.0-5.0				2		2550 5915 SEAL REMOVED							CARBURETOR,	FA00 6LC3 or L39	
Δ				3		BRACKET (61) ADDED							MT ECR 86448	1-18343(S)	
Δ				4		PART REL REF ADDED							C/O 16J800	6M	
Δ				5		1401231 & 1402187 INSL REM								SHEET	
Δ				6		WAS 1708130 CARB								3	
228															
FULLY DRIVEN, SEATED & NOT STRIPPED															

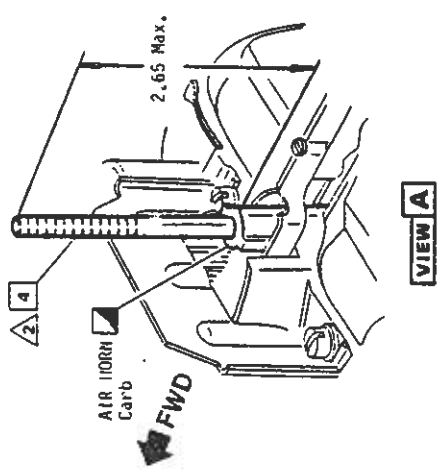
C D E F G



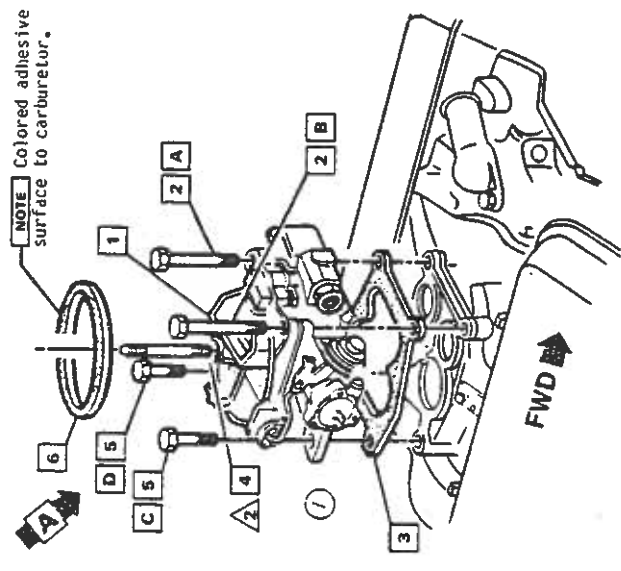
General Motors Corporation
CHEVROLET MOTOR DIVISION

PRODUCT DESCRIPTION MANUAL

ITEM REFERENCE PROCESS MATERIAL TORQUE EXISTING AS PART OF



- | | | |
|----------|----------|---|
| 17081203 | 1 | CARB ASH (SHOWN) For specific releasing & additional part numbers, see Parts List. |
| 9419047 | 2 | BOLT/SCREW-CARB FRT |
| 354310 | 3 | INSULATOR (SHOWN) For specific releasing & additional part numbers, see Parts List. |
| 3737482 | 4 | STUD |
| 9419032 | 5 | BOLT/SCREW-CARB RR |
| 25502694 | 6 | SEAL |
| 25505914 | 6 | OPT |



ATTACHING BOLT/SCREW TORQUE SEQUENCE

Simultaneously drive Bolt/Screw **A** & Bolt/Screw **C** to no. **1** torque. Then simultaneously drive Bolt/Screw **B** & Bolt/Screw **D** to no. **2** torque. Bolts/Screws must maintain a residual torque of 8.5 N-m after roll test.

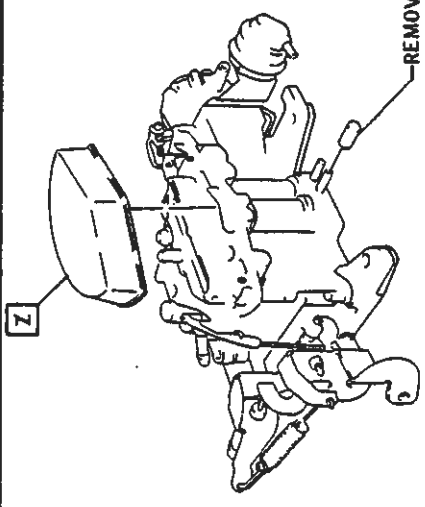
DYNAMIC (Indep) Rev		DATE	SYN	REVISION	DIV		TITLE	
<input type="checkbox"/>	<input type="checkbox"/>	11/12/80	1	PKT (GN) DWG REM	GM	DATE	DATE	1981 CHEV. "F" 14020867
<input type="checkbox"/>	<input type="checkbox"/>				DR	BY	OF	CARRURETOR FAUD & LG4 or LHI
<input type="checkbox"/>	<input type="checkbox"/>				APPR	APPR	APPR	
<input type="checkbox"/>	<input type="checkbox"/>				APPR	APPR	APPR	
<input type="checkbox"/>	<input type="checkbox"/>				APPR	APPR	APPR	
<input type="checkbox"/> FULLY DRIVEN, SEATED & NOT STRIPPED <input type="checkbox"/> <input type="checkbox"/> <input type="checkbox"/> <input type="checkbox"/> <input type="checkbox"/> <input type="checkbox"/> <input type="checkbox"/> <input type="checkbox"/>		229			REF ECR 86448	1-08290		1-2 OF 3 (S)
					C/O 16J480	6H-4		6M
					CHEVROLET			SHEET
								4

BUICK MOTOR DIVISION
GENERAL MOTORS CORPORATION

FLINT, MICHIGAN

PRODUCT DESCRIPTION MANUAL

ITEM REFERENCE
 PROCESS MATERIAL
 TORQUE
 EXISTING AS PART OF



LDS

Z COVER-CARBURETOR PROTECTION (REMOVE PRIOR TO INSTALLATION OF AIR CLEANER).

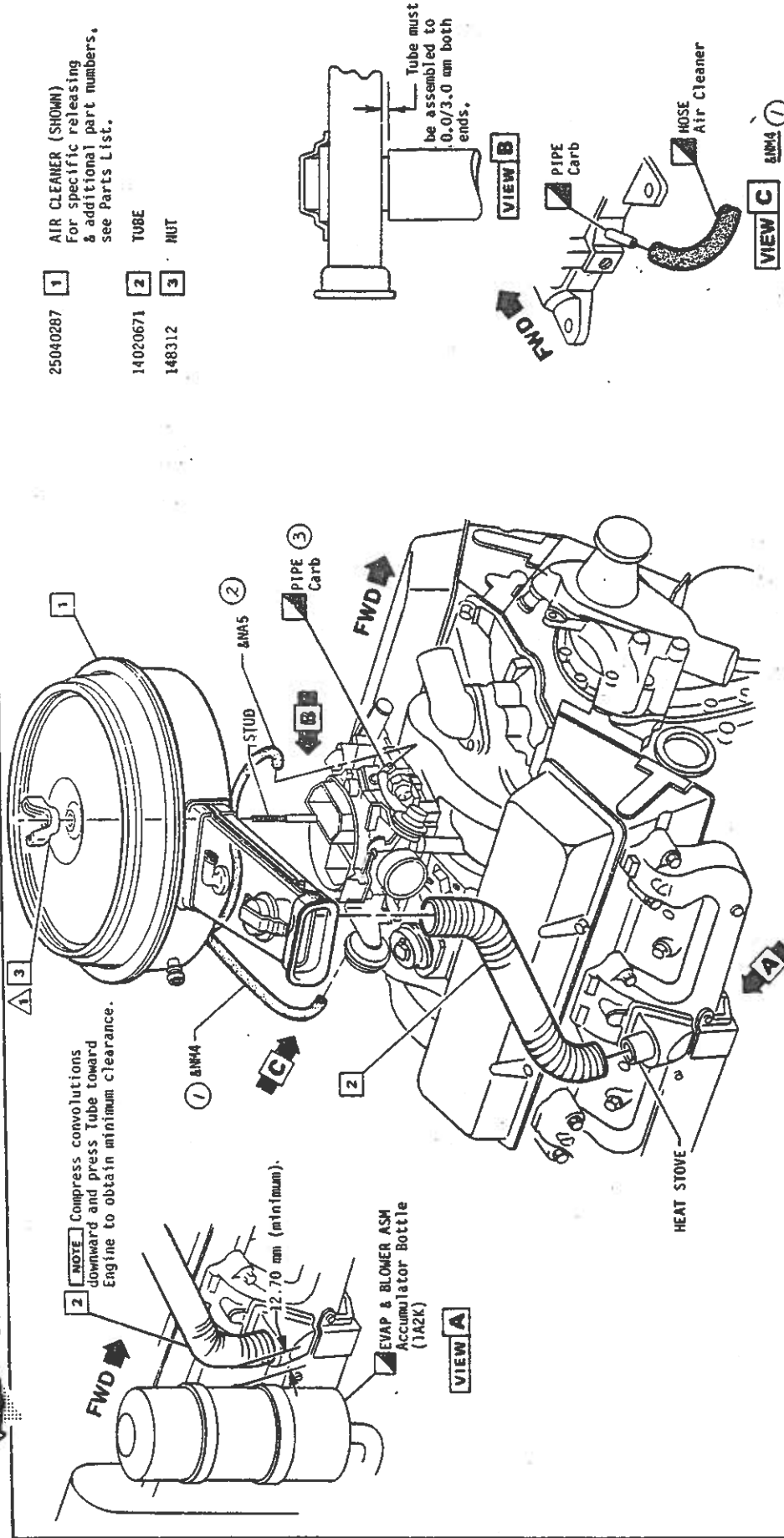
DYNAMIC (Instal) W. M.	DATE	20 JUN 87	SYN	ISSUED	REVISION	AUTH	DE	CK	CSR	DATE	DIV	TITLE
	HAND (Instal) W. M.					2448 RL				04 JABO	CHEVROLET	1981 CHEV. "F" 14020867
										DI MAC DORMOTT	CHEVROLET	CARBURETOR COVER & VACUUM PLUG
										CR	86448	A00 & L05
										APPR	C/D	GM-2 RL
										APPR	6M	SHEET
										APPR	5	

FULLY OPEN, SEALED & HOT STRIPPED
 X X X X X X

PRODUCT DESCRIPTION MANUAL

General Motors Corporation
CHEVROLET MOTOR DIVISION

ITEM REFERENCE PROCESS MATERIAL TORQUE EXISTING AS PART OF



- 25040287 1 AIR CLEANER (SHOWN)
For specific releasing
& additional part numbers,
see Parts List.
- 14020671 2 TUBE
- 148312 3 NUT

NOTE Compress convolutions
downward and press Tube toward
Engine to obtain minimum clearance.

EVAP & BLOWER ASM
Accumulator Bottle
(1AZK)
12.70 mm (minimum)

Tube must
be assembled to
0.073.0 mm both
ends.

DATE		SYN	REVISION	DATE		BY	DIV	1981 CHEV. "F" 14020867	
28/08/80	1		4MM4 ADDED (2) PICS	02/08/80	R LINDNER	CHEVROLET		TITLE	
	2		4MM4 HOSE ADDED					AIR CLEANER (F490 & L64 or LMI)	
	3		CARB PIPE REPAIRED					1-98044 (S)	
								UPC	
								6M	
								SHEET	
								6	

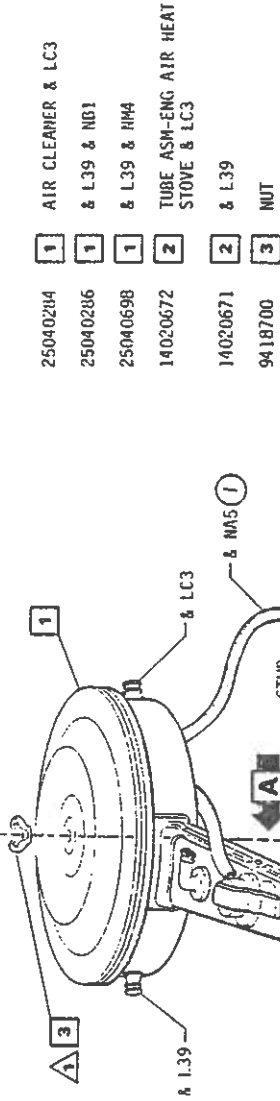
SOLELY APPROVED, SEALED & NOT STRIPPED



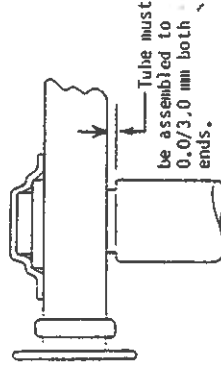
General Motors Corporation
CHEVROLET MOTOR DIVISION

PRODUCT DESCRIPTION MANUAL

ITEM REFERENCE PROCESS MATERIAL TORQUE EXISTING AS PART OF



- | | | |
|----------|---|-----------------------------------|
| 25040284 | 1 | AIR CLEANER & LC3 |
| 25040286 | 1 | & L39 & N01 |
| 25040698 | 1 | & L39 & R144 |
| 14020672 | 2 | TUBE ASM-ENG AIR HEAT STOVE & LC3 |
| 14020671 | 2 | & L39 |
| 9418700 | 3 | NUT |



VIEW A

1981 CHEV. "F" 14020867		DIV		DATE		REV		SYN		DATE		REV		SYN	
CHEVROLET		CHEVROLET		01/21/80		01/21/80		/		27/11/80		/		/	
AIR CLEANER FA00 & LC3 or L39		REF ECR 86448 NEW 21AP80		BY R. LINDNER		BY R. LINDNER		" & MAS" ADDED		" & MAS" ADDED		" & MAS" ADDED		" & MAS" ADDED	
1-18733 (S)		UPC 6M		APPR S		APPR		APPR		APPR		APPR		APPR	
7		SHEET		232		232		232		232		232		232	
FULLY DRAWN, SLATED & NOT STRIPPED															

Ch 8 0 P Ca

PONTIAC MOTOR DIVISION

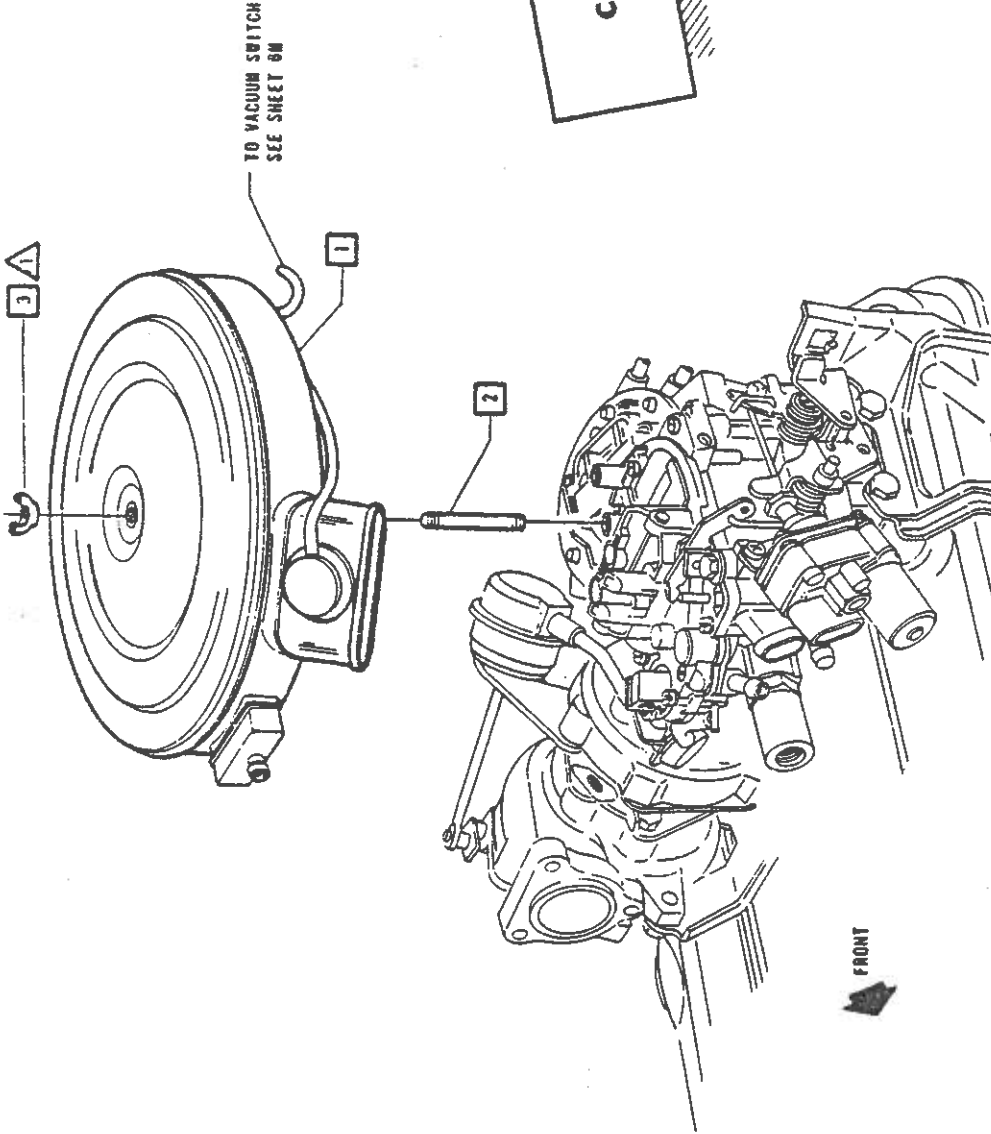
General Motors Corporation

Pontiac, Michigan

PRODUCT DESCRIPTION MANUAL

ITEM REFERENCE PROCESS MATERIAL TOGGLE EXISTING AS PART OF

- 25040178 1 CLEANER ASM.
- 546515 2 STUD
- 148312 3 NUT



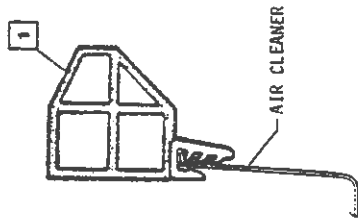
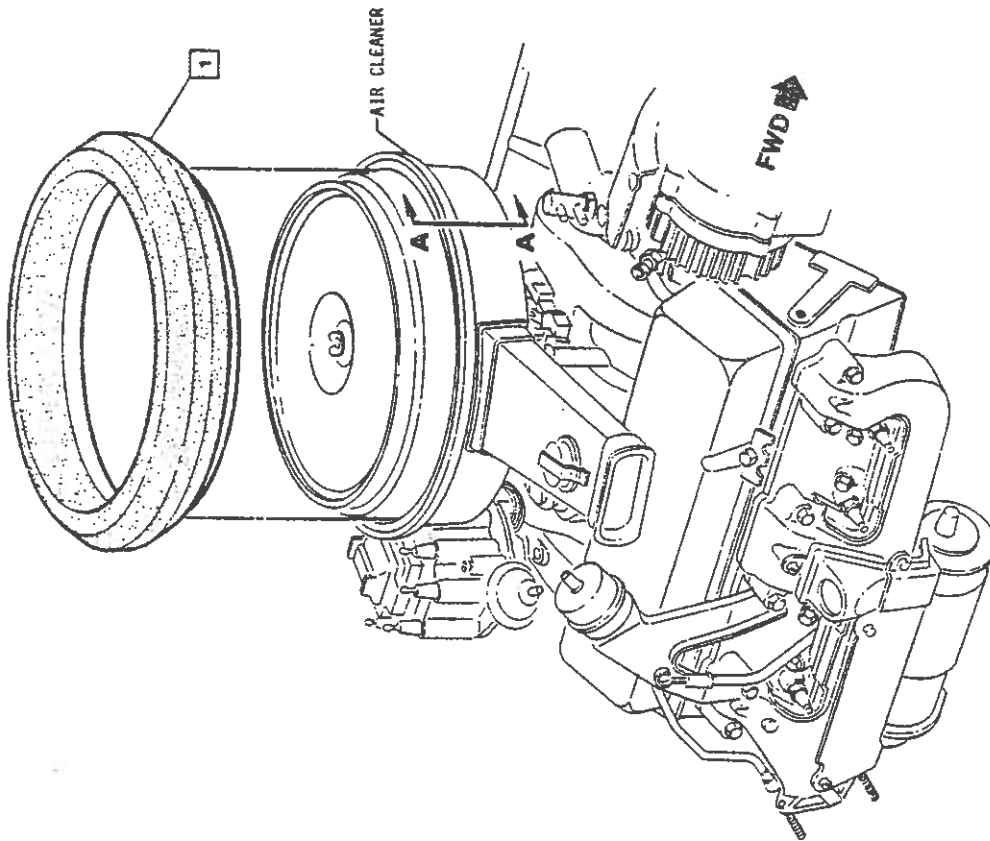
CANCELED

FRONT

DYNAMIC (Castrol) 1.4 - 2.2		DATE	ISSUED	REVISION	MIN	MAX	DATE	DIV	1981 CHEV. "F" 14020867
7/23/80	2/28/80	7/23/80	SHEET CANCELED	8/27/80	9/22/80	07 NO 79	08 G.M. VERSTRAETE	CHEVROLET	AIR CLEANER FADO & LUB
								RF ECR 86448	6M
								C/O 16JAB0	9
								6M-13 RL	
<input checked="" type="checkbox"/> FULLY DRIVEN, SEATED & NOT STRIPPED									

SAE J1853 12-79 4024

14013425 [1] SEAL ASH

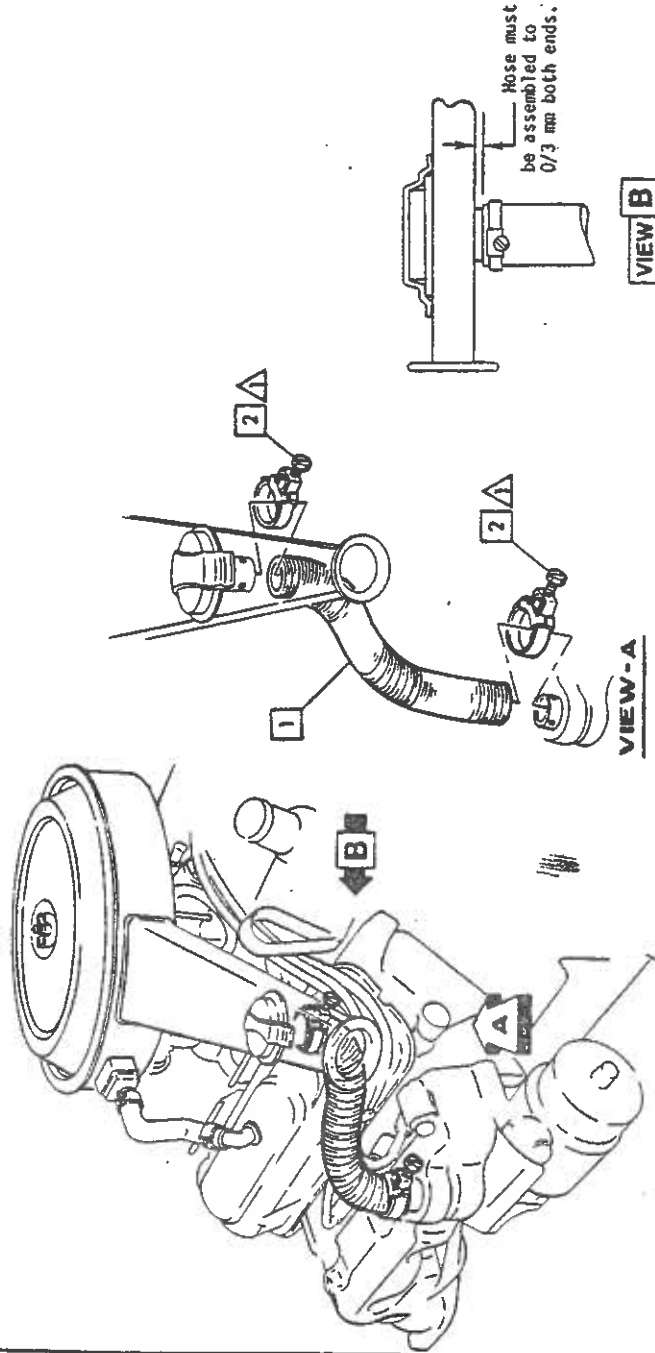


SECTION A-A—INSTALLED

DIMENSIONS (AS SHOWN) IN HARD (TOP) - IN. IN. FULLY DRYN. SEATED & NOT STOPPED G H I J K L M N O P Q R S T	DATE	SYM	REVISON	AUTH	DR	CR	APP BY DATE	DATE	11/14/80	BY R. LINDNER (R. Lindner) APP	DIV CHEVROLET	1981 CHEV. "F" 14020867
	DATE	SYM	REVISON	AUTH	DR	CR	APP BY DATE	DATE			CHEVROLET	1981 CHEV. "F" 14020867
	DATE	SYM	REVISON	AUTH	DR	CR	APP BY DATE	DATE			CHEVROLET	1981 CHEV. "F" 14020867
TITLE: AIR CLEANER SEAL PART NO.: FP00 & 728 I-20092 (S) UIC: 6M SHEET: 10												

ITEM REFERENCE PROCESS MATERIAL EXISTING AS PART OF

1254731 TUBE ASH
 9414931 CLAMP



DYNAMIC (Instr.)	Hand (Imp.)	N.M	DATE	SYM	ISSUED	REVISION	DATE	BY	CHK	APP	DATE	DIV	TITLE	ITEM	QTY	UNIT
▲	1.6 - 2.2		22/07/79				22/07/79	DR	MAC	DORRHOFF		CHEVROLET	ENGINE HEAT CONTROL FA00 8LD5			
▲																
▲																
▲																
▲																
FULLY DRIVEN, SEATED & NOT STOPPED																
CHEVROLET ENGINE HEAT CONTROL FA00 8LD5																
ECR 86448 C/O 10JN80 6M-8 RL																
235																
6M 11																

G X B X P X G

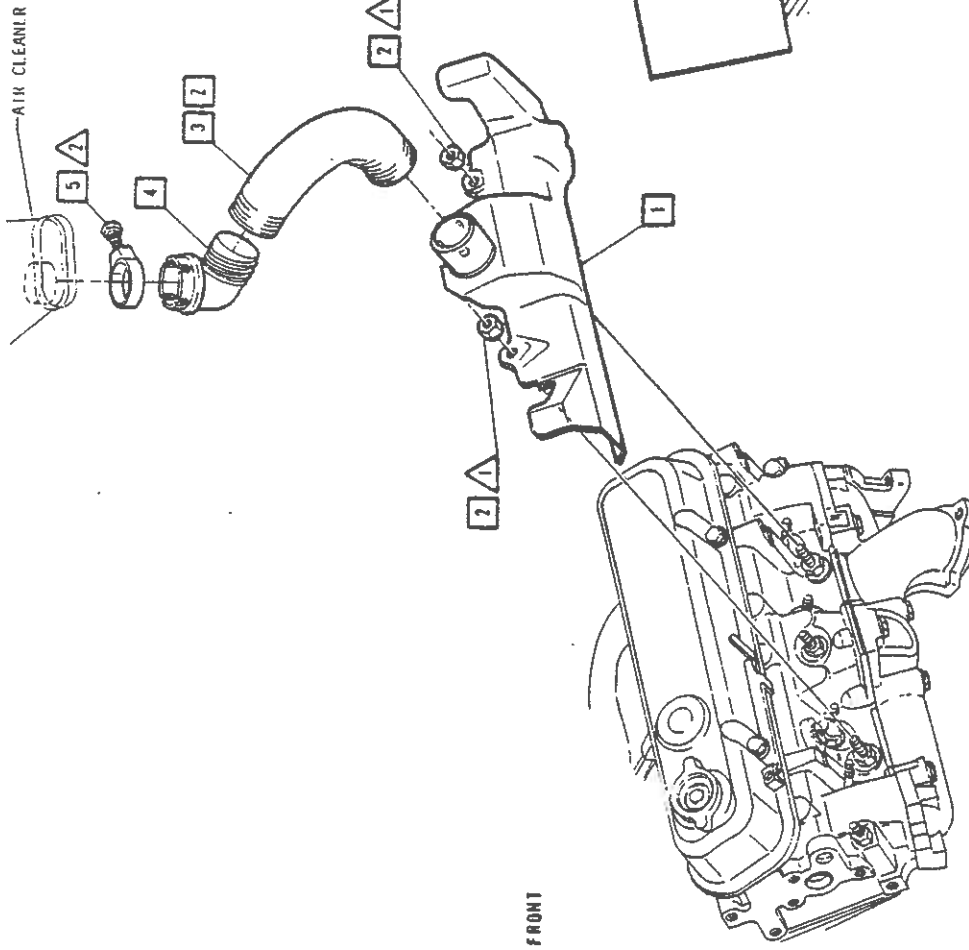
PONTIAC MOTOR DIVISION

General Motors Corporation

Pontiac, Michigan

PRODUCT DESCRIPTION MANUAL

ITEM REFERENCE PROCESS MATERIAL TORQUE EXISTING AS PART OF



- 10014575 1 STOVE ASM
- 9418931 2 NUT
- 10014908 3 TUBE ASM.
- 498539 4 ADAPTER (LUB)
- 274765 5 CLAMP ASM

7 TUBE MUST BE INSTALLED WITH END FIRMLY SEATED AGAINST STOVE ASM. TO INSURE ADEQUATE RETENTION. PROPER INSTALLATION MAY REQUIRE SLIGHT STRETCHING OF TUBE AFTER BENDING.

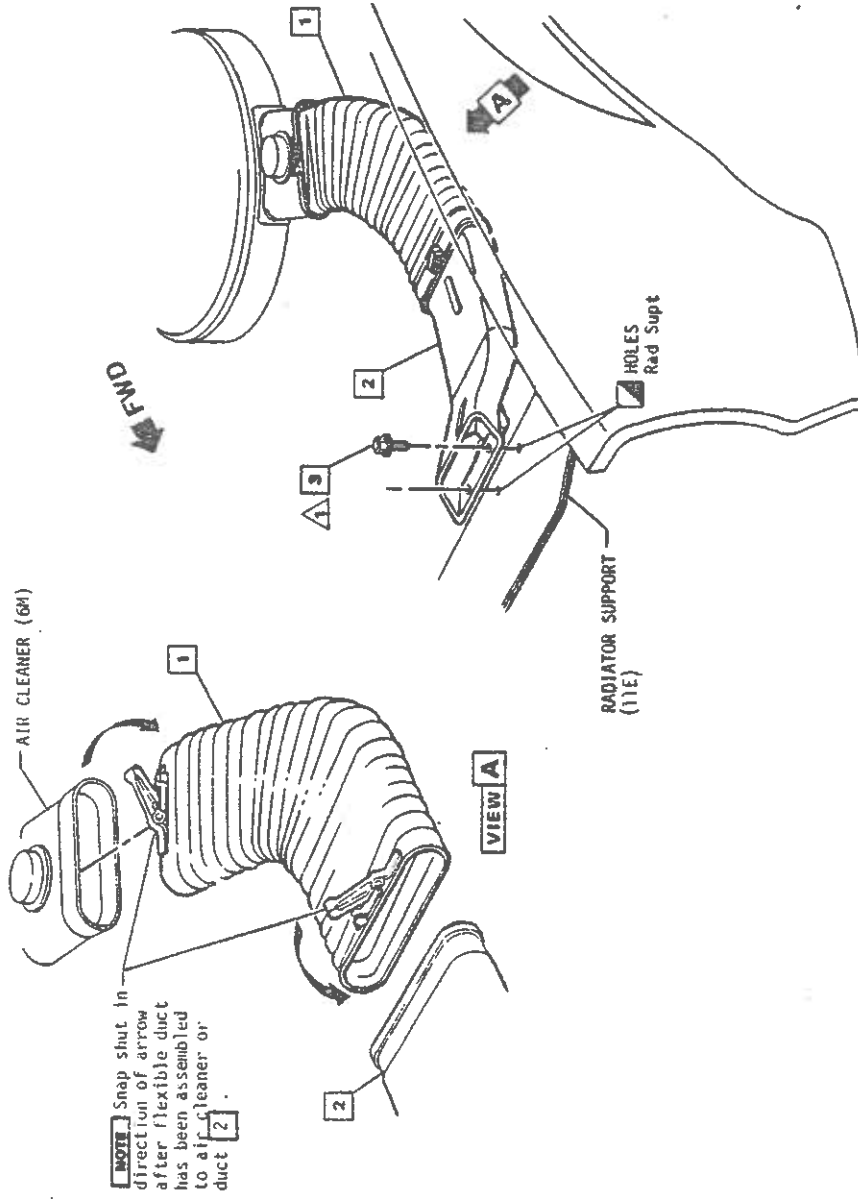
DYNAMIC (Instel) m		HARD (Imp.) - P m		DATE	SYM	ISSUED	DIVISION		AUTH	OR	IC	AS	DATE	DIV	1981 CHEV. "F" 14020867	
Δ	26.0 - 48.0	Δ	1.6 - 2.2	12-1980	1	SHEET CANCELED	ENGINEERING	86448	RL	520		18 DE 79	CHEVROLET	ENGINE HEAT CONTROL	TITLE	
Δ		Δ		25-1-80			236	91222	CU	42			DI G. M. VERSTRAETE	NEW 26FEB0	FACTORY & LUB	
Δ		Δ											JEB	6M	SHEET 12	
Δ		Δ											APP		UPC	
Δ		Δ											APP		6M	
Δ		Δ											APP		6M	
Δ		Δ											APP		6M	
Δ FULLY BORN, SEALED & NOT STOPPED																
0 1 2 3 4 5 6 7 8 9 X																

PRODUCT DESCRIPTION MANUAL

General Motors Corporation
CHEVROLET MOTOR DIVISION

ITEM REFERENCE PROCESS MATERIAL TORQUE EXISTING AS PART OF

- 14021980 1 DUCT ASM
- 14021979 2 DUCT
- 11500995 3 BOLT/SCREW



NOTE: Snap shut in direction of arrow after flexible duct has been assembled to air cleaner or duct 2.

WAITING LAYOUT APPROVAL

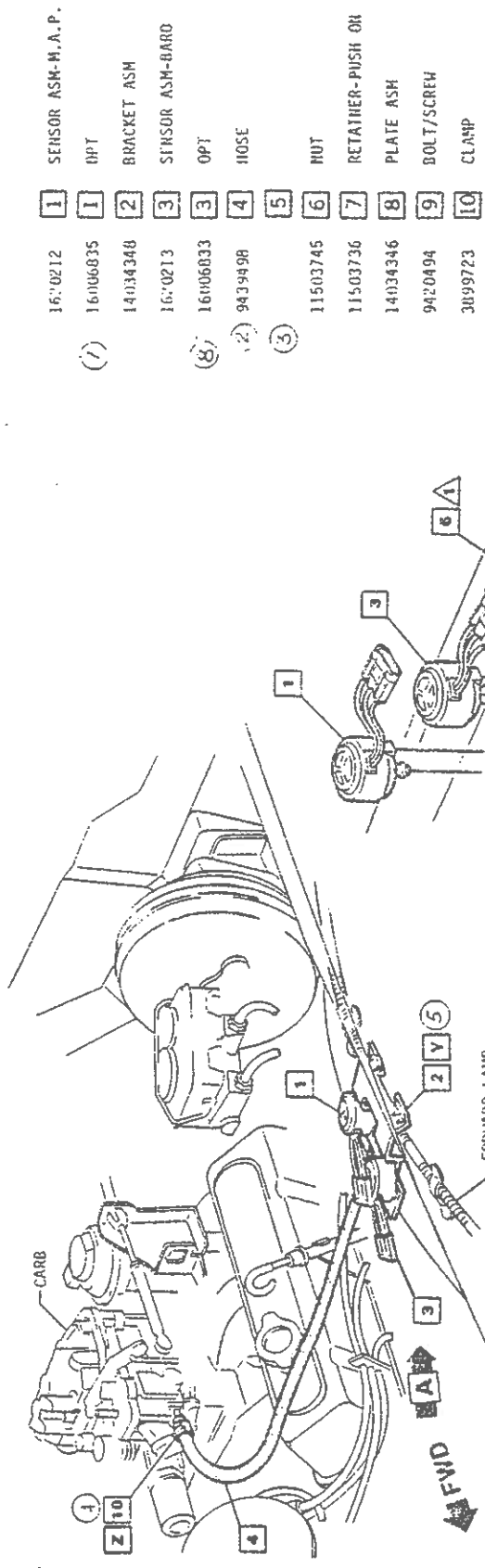
DYNAMIC (Insert) RD [insp.] - N/m		DATE	SYM	REVISION	DATE	BY	CHK	DATE	BY	CHK	DATE	BY	CHK	DATE	BY	CHK	DATE	BY	CHK
4, 6-7.0 4 4 4 4		29R480	/	SHEET CANCELED	30A490	R. L. INOVER		30A490											
FULLY DRIVEN, SEATED & NOT STRIPPED C X O P G																			
1981 CHEV. "F" 14020867.										TITLE CARBURETOR AIR INTAKE FADO & LUB		SHEET 6M		SHEET 14					
CHEVROLET REF ECR 86448 C/O 18AP80 6M-18										DIV CHEVROLET		REF 23648 (HS)		DIVC 6M		SHEET 14			



General Motors Corporation
CHEVROLET MOTOR DIVISION

PRODUCT DESCRIPTION MANUAL

ITEM REFERENCE PROCESS MATERIAL UPGRADE EXISTING AS PART OF



- 1670212 **1** SENSOR ASM-M.A.P.
- 16006035 **1** OPT
- 14034348 **2** BRACKET ASM
- 1670213 **3** SENSOR ASM-BARO
- 16006033 **3** OPT
- 9439998 **4** HOSE
- 11503745 **6** NUT
- 11503736 **7** RETAINER-PUSH ON
- 14034346 **8** PLATE ASH
- 9420494 **9** BOLT/SCREW
- 3099723 **10** CLAMP

6 **V** See UPC 15D for paint specs.
7 **Z** See UPC "QA" for clamping instructions.

DATE	BY	REV	DESCRIPTION
11/10/80	WJL/BO	1	REDRAWN & REDESIGNED
11/10/80	WJL/BO	2	WAS 9438520 HOSE
		3	NO PIN CLAMP ITEM
		4	ITEM ID WAS ITEM 5
		5	ITEM 2 REV (2) PLATE
		6	NOTE "Y" AND
		7	REWORK 6835 SENSOR ADDED
		8	REWORK 6835 SENSOR ADDED

DATE	BY	REV	DESCRIPTION
90919	CU	1	DATE 30 APR 80
PIR60	CU	1	DR. LINDNER/CU
92409	CU	1	APR S
92409	CU	1	APR S
92409	CU	1	APR S
92409	CU	1	APR S
92409	CU	1	APR S

1981 CHEV. "F" 14020867	MANIFOLD ABSOLUTE PRESSURE AND BARO SENSOR FAO & LDS & NB1
CHEVROLET	REF ECR 06448
NEW 21AP80	NEW 21AP80
1-22003 (S)	UPC
6M	SHIFT
15	

C B 0 P G

239

FURY DRIVEN, SEATED & NOT STRAPPED



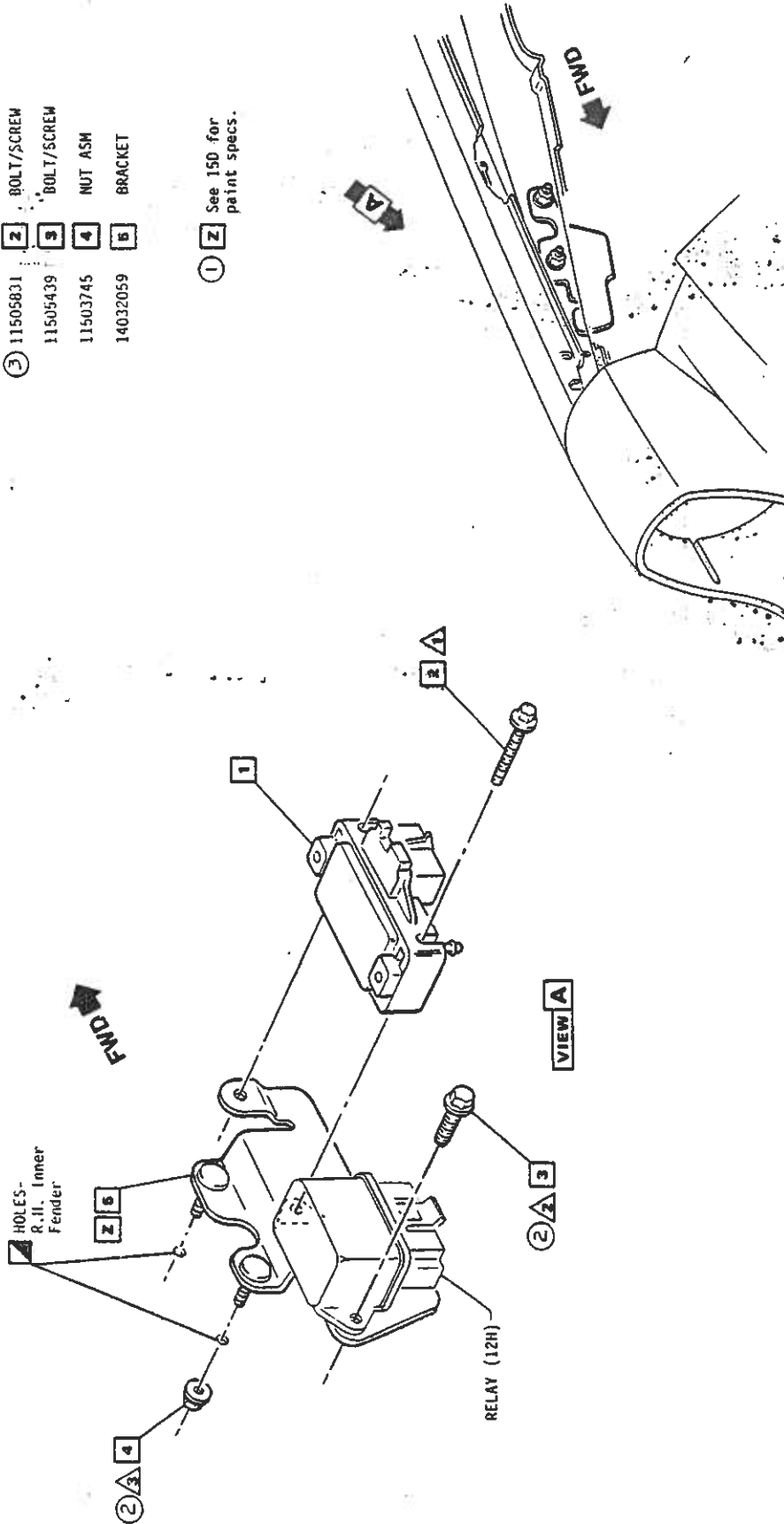
General Motors Corporation
CHEVROLET MOTOR DIVISION

PRODUCT DESCRIPTION MANUAL

□ ITEM REFERENCE ◇ PROCESS MATERIAL △ TORQUE ▣ EXISTING AS PART OF

- 16006834 **1** SENSOR ASM-MANIFOLD DIFF. PRESSURE
- ③ 11505831 **2** BOLT/SCREW
- 11505439 **3** BOLT/SCREW
- 11503745 **4** NUT ASM
- 14032059 **5** BRACKET

① **2** See 15D for paint specs.



DYNAMIC (Initial)	REV	DATE	SYM	REVISION	REV	DATE	BY	CHK	APP	REV	DATE	BY	CHK	APP	REV	DATE	BY	CHK	APP
△	1	4-5-80		"Z" NOTE ADDED	8947	CU	DR	CU	DR	10/20/80	10/20/80	DR	CU	DR	10/20/80	10/20/80	DR	CU	DR
△	2	23-00-80		TOR(S) (2) & (3) ADDED	86448	CU	DR	CU	DR	11/15/80	11/15/80	DR	CU	DR	11/15/80	11/15/80	DR	CU	DR
△	3	20-02-86		WAS 11505377 BOLT	19040	CU	DR	CU	DR	11/15/80	11/15/80	DR	CU	DR	11/15/80	11/15/80	DR	CU	DR
△																			
△																			
△																			
△																			
△																			
△																			
△																			
△																			

1981 CHEV. "F" 14020867
 MANIFOLD DIFF. PRESSURE SENSOR
 F.AOD 8L64 B424 BND1
 1-22003 (S)
 U7K
6M
 SHEET
15.1

CHEVROLET
 REF ECR 86448
 NEW 15AP80

DATE: 10/20/80
 BY: DR
 CHK: CU
 APP: DR

REV: 1
 DATE: 4-5-80
 SYM: [blank]

REV: 2
 DATE: 23-00-80
 SYM: [blank]

REV: 3
 DATE: 20-02-86
 SYM: [blank]

REV: [blank]
 DATE: [blank]
 SYM: [blank]

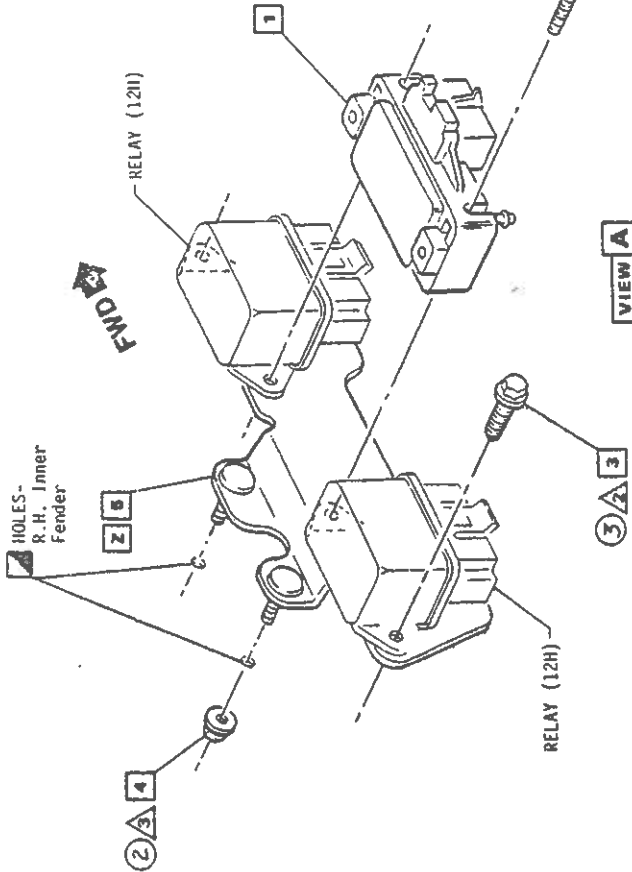
△ FULLY DRIVEN, SEATED & HOT STRIPPED

PRODUCT DESCRIPTION MANUAL

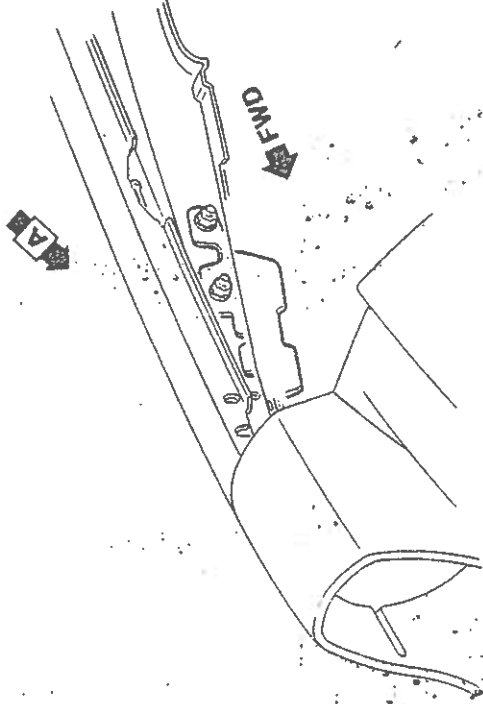
General Motors Corporation
CHEVROLET MOTOR DIVISION

ITEM REFERENCE PROCESS MATERIAL TORQUE EXISTING AS PART OF

- 160068.3.4 1 SENSOR ASM-MANIFOLD DIFF. PRESSURE
- 115058.1.1 2 BOLT/SCREW
- 1150543.0 3 BOLT/SCREW
- 1150374.1 4 NUT ASM
- 1403205.0 5 BRACKET



(1) Z See 15D for paint specs.



MIC (Inch) / Rev		DATE	SYN	REVISION			DIV		
Δ	1.5 - 2.0	230680	1	"Z" NOTE ADDED	DR	EN	DATE	BY	1981 CHEV. "F" 14020867
Δ	8-14	230680	2	TORQUE ADDED	C	OR	R. KOCH	TITLE	
Δ	16-22	300680	3	TORQUE WAS 1.5-2.0	C	CE	C. S. ...	MANIFOLD DIFF. PRESSURE SENSOR	
Δ			4	WAS 1/505377 BOLT	C	APP	S	FR00 8L64/139 8NVA 8NB1, 8LNT 8MX3 8ND1	
Δ					APP	APP		1.22003 (\$)	UPC
Δ					APP	APP			6M
FULLY DRAWN, SEATED & NOT STRIPPED									15.2
241									

B 0 P Co

PRODUCT DESCRIPTION MANUAL

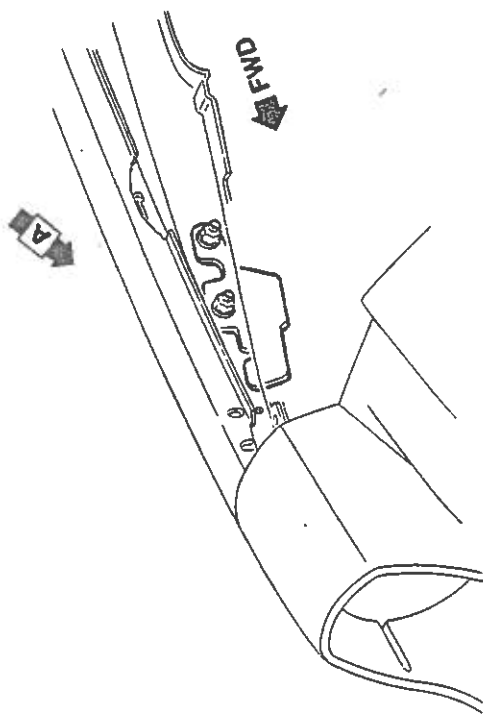
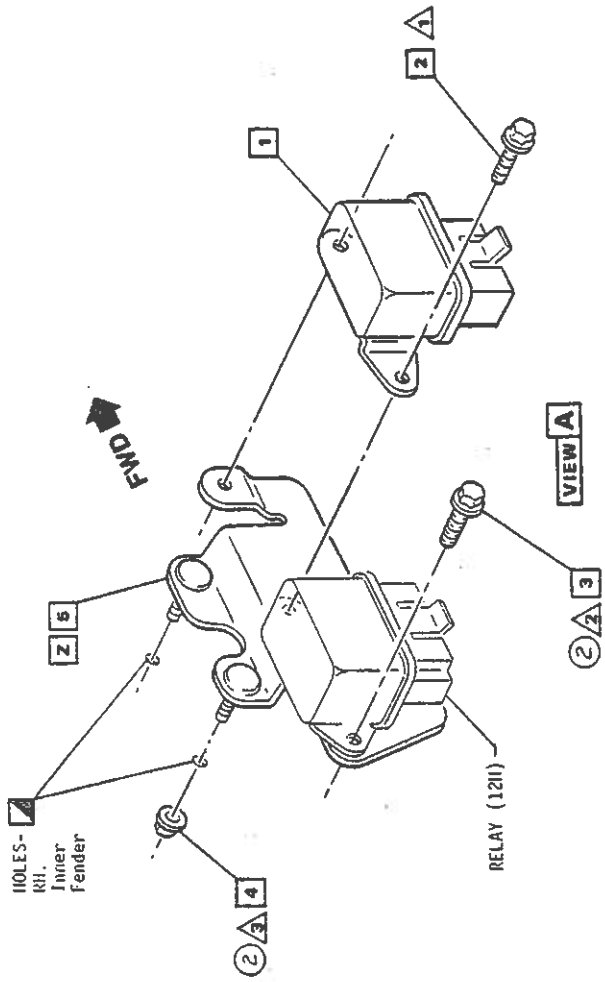
ITEM REFERENCE PROCESS MATERIAL TORQUE EXISTING AS PART OF

General Motors Corporation
 CHEVROLET MOTOR DIVISION



1	14029547	MODULE ASM-RPH SIGNAL CONDITIONER
2	11503540	BOLT/SCREW
3	11505439	BOLT/SCREW
4	11503745	NUT ASM
5	14032059	BRACKET

Z See 15D for paint specs.



DYNAMIC (Instal) Item	HAND (Instal) Item	DATE	SYN	REVISION	AUTH	DR	CHK	DATE	BY	DIV	ITEM	QTY	UNIT	PRICE
	1.5 - 2.0	2-28-80	1	"Z" NOTE ADDED	88617	CU	C	DR R. KOCH		CHEVROLET	14020867			
	8-14	3-28-80	2	TORQS (2) & (3) ADDED	88448	CU	C	DR <i>Chris [unclear]</i>		CHEVROLET	R.P.M. SIGNAL CONDITIONER			
	16-22							APPR S		ECR 86448	1-22003 (S)			
								APPR		NEW 15AP80		6M		15.3
								APPR						

FULLY DRIVEN, SEATED & NOT STRIPPED
 C B O P Ca

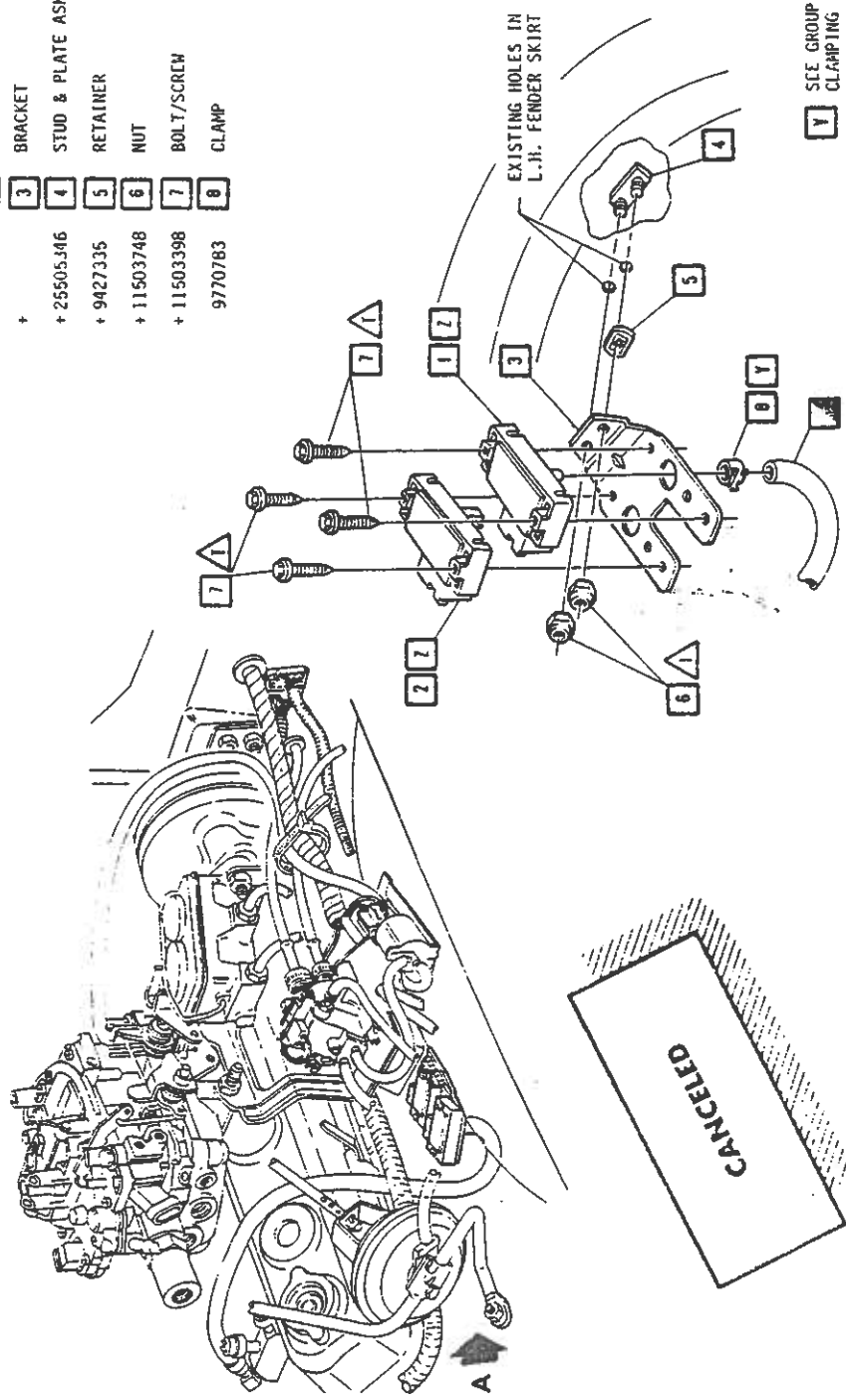
PONTIAC MOTOR DIVISION

General Motors Corporation Pontiac, Michigan

PRODUCT DESCRIPTION MANUAL

ITEM REFERENCE PROCESS MATERIAL TORQUE EXISTING AS PART OF

- 16009886 1 SENSOR ASM. - M.A.P.
- 16006833 2 SENSOR ASM. - BARO.
- + 3 BRACKET
- +25505346 4 STUD & PLATE ASM.
- +9427335 5 RETAINER
- +11503748 6 NUT
- +11503398 7 BOLT/SCREW
- 9770783 8 CLAMP



Y SEE GROUP 0A FOR CLAMPING INSTRUCTIONS
 Z SEE GROUP 12H FOR WIRING

VIEW A

DYNAMIC (Metric) <input type="checkbox"/> HAND (Imp.) <input type="checkbox"/> - M.M.		DATE	REV	ISSUED	REVISION	AUTH	DR	CHK	ENR	DATE	DIV	1981 CHEV. "F" 14020867	
14 - 20		01/07/80	1	ISSUED	ISSUED	86448	G.M. VERSTRAETE	CK	CK	19 MR. 80	CHEVROLET	MANIFOLD ABSOLUTE PRESSURE SENSOR AND BARO SENSOR FAO & LUB & NB1	
<input type="checkbox"/> <input type="checkbox"/> <input type="checkbox"/> <input type="checkbox"/> <input type="checkbox"/>		01/07/80	1	SHT CANCELED	SHT CANCELED	91222	(C) A2	(C) A2			NEW 21AP80	6M	
FULLY DRAWN, SEATED & NOT STOPPED											NEW 6M-14.1 RL	15.6	
												6M	
												15.6	

0 X 0 0 0 P X Co

PONTIAC MOTOR DIVISION

General Motors Corporation

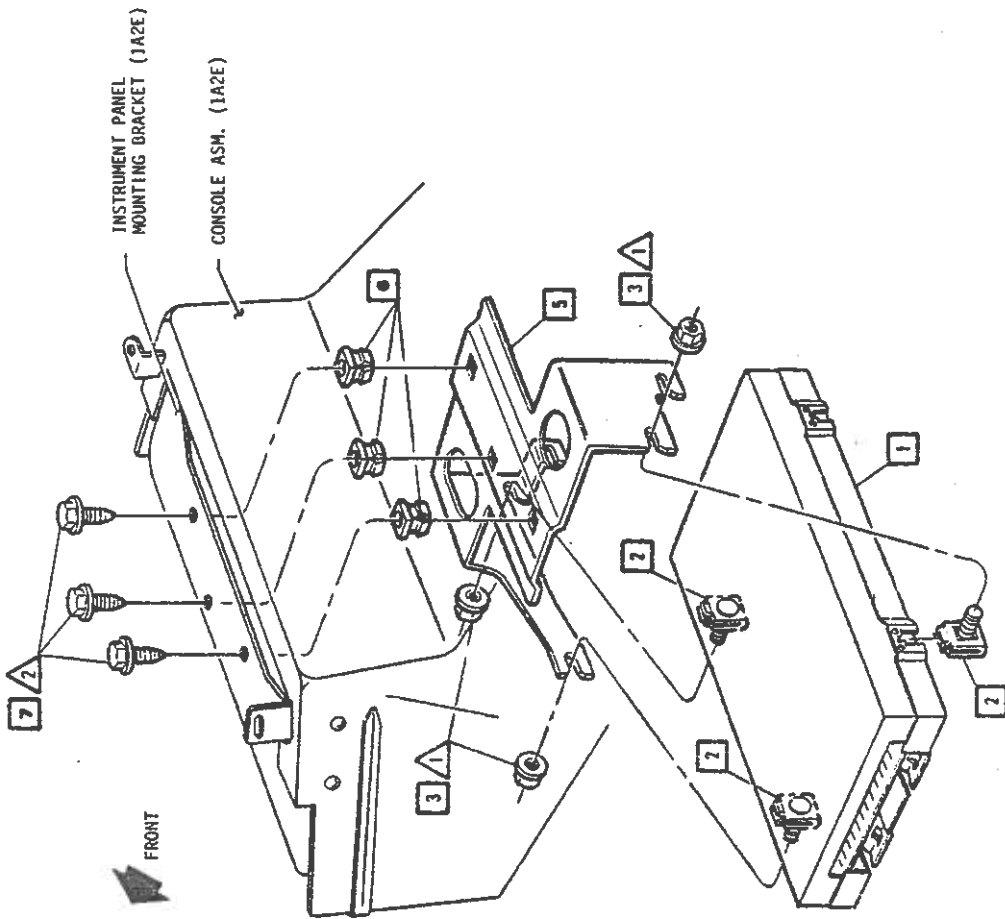
Pontiac, Michigan

PRODUCT DESCRIPTION MANUAL

ITEM REFERENCE PROCESS MATERIAL TORQUE EXISTING AS PART OF

MODULE ASM-ELEC FUEL CONTROL
(SHOW) - FOR SPECIFIC RELEASING
& ADDITIONAL PART NUMBERS SEE PARTS
LIST.

- | | | | | | |
|-----|-----|----------|--------------------------|---|-------------|
| (3) | (1) | 16011811 | <input type="checkbox"/> | 1 | BOLT - CLIP |
| (4) | (2) | 11501814 | <input type="checkbox"/> | 2 | NUT |
| (5) | (3) | 10013257 | <input type="checkbox"/> | 3 | BRACKET |
| (6) | (4) | 3919773 | <input type="checkbox"/> | 4 | NUT |
| (7) | (5) | 11502843 | <input type="checkbox"/> | 5 | SCREW |



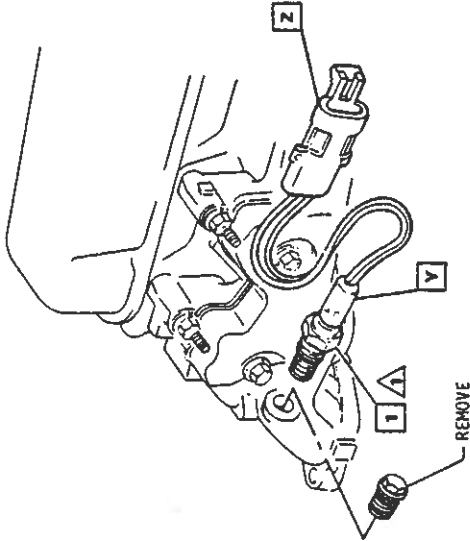
DYNAMIC (based on)	REV	DATE	SYN	ISSUED	REVISION	AUTH	DE	CR	APP	DATE	BY	1981 CHEV. "F" 14020867		
△ 1.2 - 1.6	1	10/18/80		ISSUED	16012774 MODULE	92143 RL	27			13 DE 79		1981 CHEV. "F" 14020867		
△ 5.5 - 8.0	2	10/18/80		WAS	16012774 MODULE	91084 CU	27			DR G. M. VERSTRAETE		MODULE		
△	3	22/11/81		WAS	16011741 MODULE	92616 CU	27			CE	VER	ELECTRONIC FUEL CONTROL		
△	4	08/11/81		WAS	1611402 NUT	95577 CU	27			APP	VER	MODULE		
△						97238 RL	27			APP		FA00 AND I		
△										APP		21-88651		
△												UFC		
FULLY DRIVEN, SEALED & NOT STOPPED												6M	16	SHEET

PRODUCT DESCRIPTION MANUAL

BUICK MOTOR DIVISION
GENERAL MOTORS CORPORATION
FLINT, MICHIGAN

ITEM REFERENCE PROCESS MATERIAL TORQUE EXISTING AS PART OF

8990346 SENSOR ASM-EXHAUST OXYGEN



- Y CORRECT BOOT LOCATION. DO NOT PUSH BOOT OVER SENSOR. A CLEARANCE OF 11.3 ± 4.3 MUST BE MAINTAINED BETWEEN BOOT & FLANGE.
- Z FOR CONNECTION TO HARNESS & ROUTING SEE UPC 12H.

DYNAMIC (Include in HAND Insp.) - H.m. 38-46 ▲ ▲ ▲ ▲ ▲	DATE 20/1/80	SYR ISSUED	REVISION 246	AUTN 26-1B/RZ/HA	DE BIRZ/HA	CI HZ	DATE DE MAC DORMOTT 26-1B/RZ/HA DE AW H.und.	DIV CHEVROLET REF ECR 86448 NEW 09JN80 R.L.	TITLE EXHAUST OXYGEN SENSOR FAOJ ALD5 BND1	1981 CHEV. "F" 14020867
FULLY DRIVER SEATED & HOJ STRAPPED								SHEET 6M	SHEET 17	

BUICK FORM 710

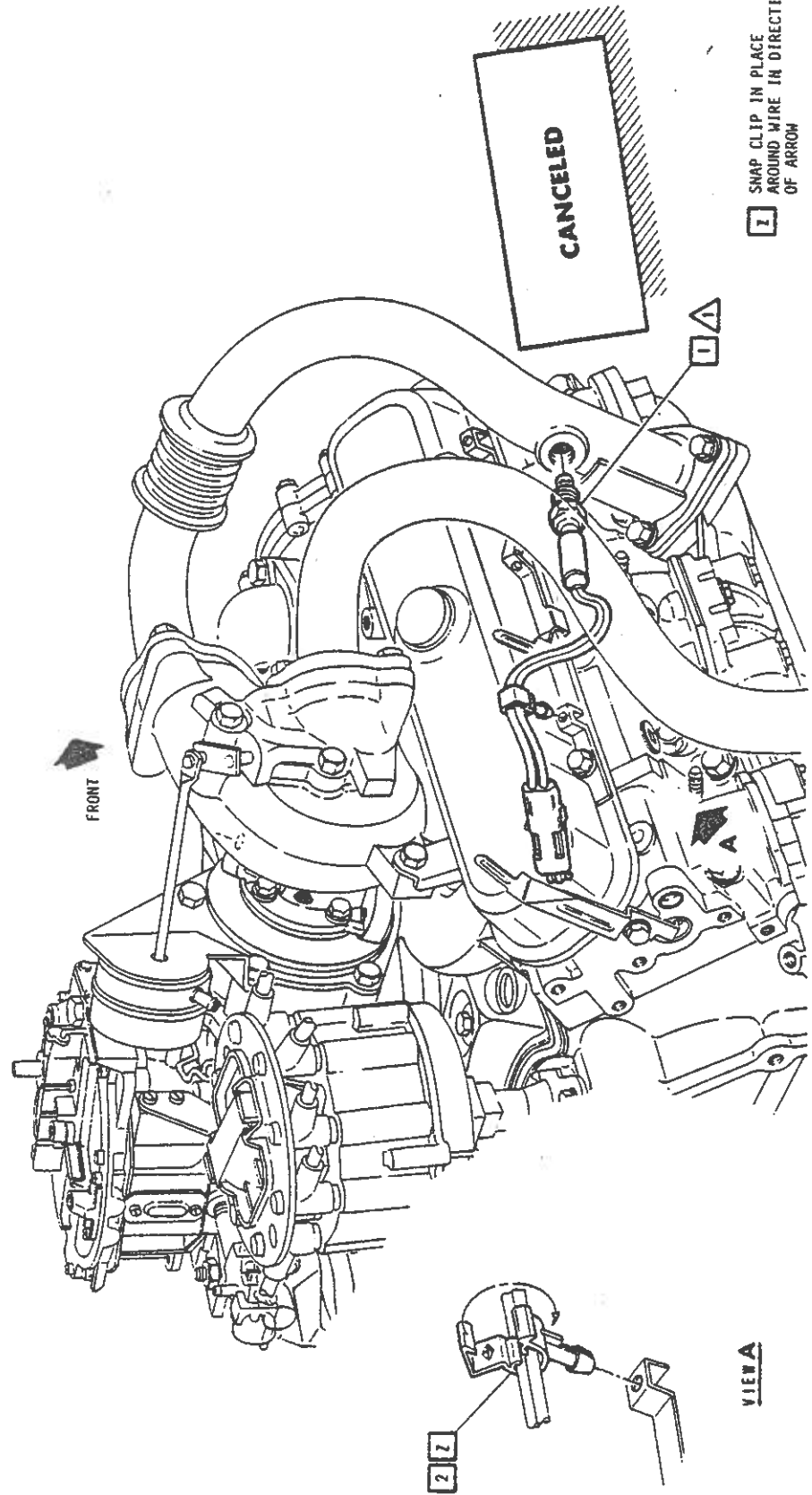
PONTIAC MOTOR DIVISION

General Motors Corporation Pontiac, Michigan

PRODUCT DESCRIPTION MANUAL

ITEM REFERENCE PROCESS MATERIAL TORQUE EXISTING AS PART OF

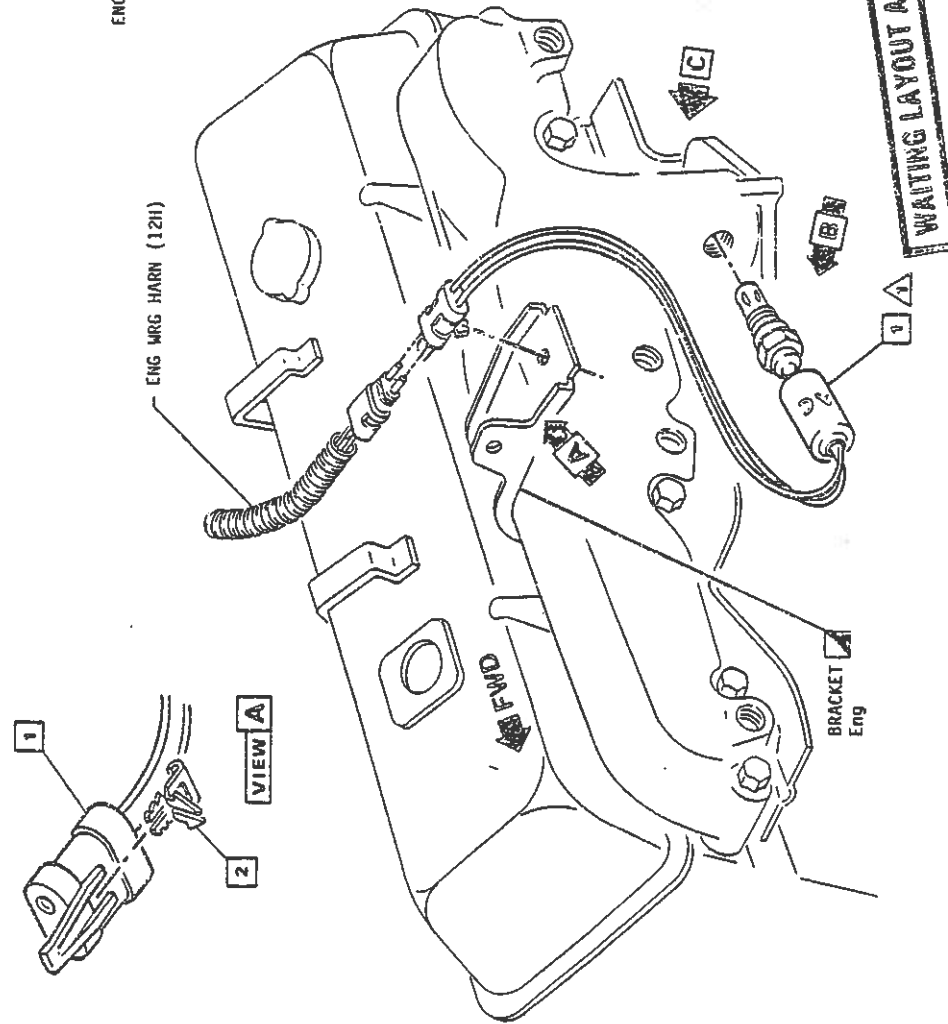
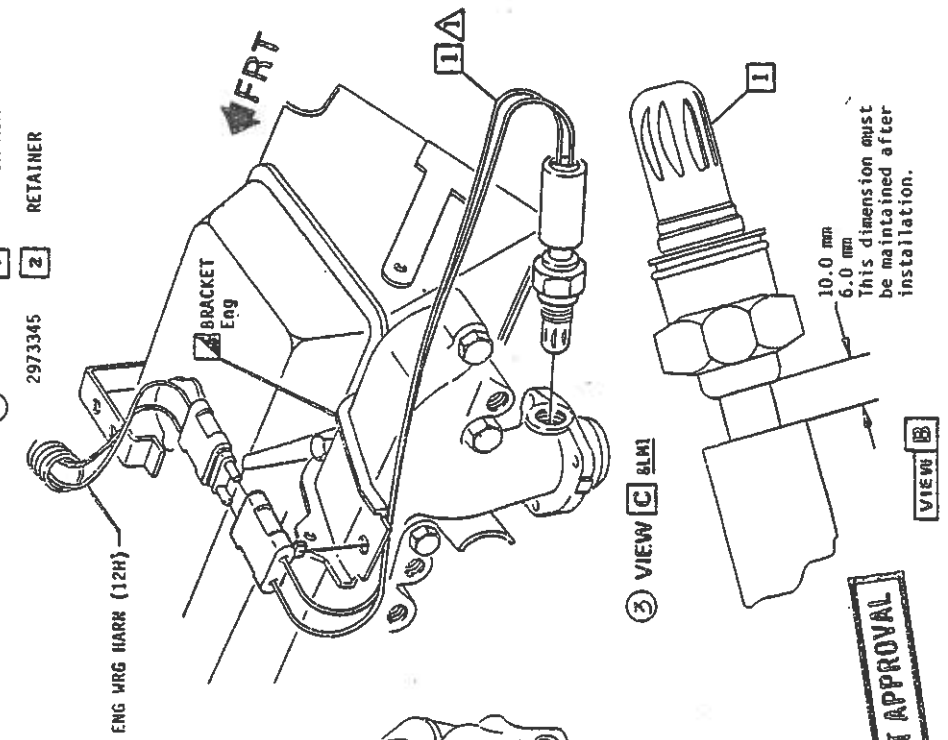
- 8990346 SENSOR ASM.
- + 8900116 CLIP



DYNAMIC (LOADING) M. HAND (LOOP) J. H.M.		DATE	SWN	ISSUED	REVISION	AMIN	DE	CE	GM	DATE	25 MR 80	DIV	1981 CHEV. "F" 14020867
<input type="checkbox"/> <input type="checkbox"/> <input type="checkbox"/> <input type="checkbox"/>		04/17/80 04/17/80	1	ISSUED SHEET CANCELLED	82448 RL 1924 91222 CU 18	DR G.M. VERSTRAETE	U	U	U	U	U	CHEVROLET	TITLE
<input type="checkbox"/> <input type="checkbox"/> <input type="checkbox"/> <input type="checkbox"/>												CHEVROLET	EXHAUST OXYGEN SENSOR FA00 & LUB & NBI
<input checked="" type="checkbox"/> FULLY DRIVEN, SEALED & NOT STRIPPED												86448	UPC
0 0 0 0 0 0 0 0 0 0												NEW 21AP80 6M-3.1 RL	6M
													17.1

ITEM REFERENCE PROCESS MATERIAL TORQUE EXISTING AS PART OF

- ① 8990346 SENSOR ASH
- 2973345 RETAINER



DYNAMIC (Hand) Eng		38 - 46	DATE	28 JUL 80	REV	1	DATE	28 MAR 80	BY	ZB MARCO	DIV	1981 CHEV. "F" 14020867	
MATERIAL		MAS 8990298 SENSOR	DATE	28 MAR 80	REV	2	DATE	05 MAR 81	BY	X P. LINDNER	CHEVROLET	EXHAUST OXYGEN SENSOR	
DRAWING		VIEW "C" ADDED	DATE	(FC-12.51)	REV		DATE		BY	U. Connors-TN	CHEVROLET	FADO 8L64/LM1/L39 4N81	
REVISION			DATE		REV		DATE		BY		CHEVROLET	REF ECR 86448	
REVISION			DATE		REV		DATE		BY		CHEVROLET	NEW 14NR00	
REVISION			DATE		REV		DATE		BY		CHEVROLET	IPC	
REVISION			DATE		REV		DATE		BY		CHEVROLET	6M	
REVISION			DATE		REV		DATE		BY		CHEVROLET	SHIFT	
REVISION			DATE		REV		DATE		BY		CHEVROLET	18	

248

WAITING LAYOUT APPROVAL

▲ FULLY DRIVEN, SEALED & NOT STRIPPED

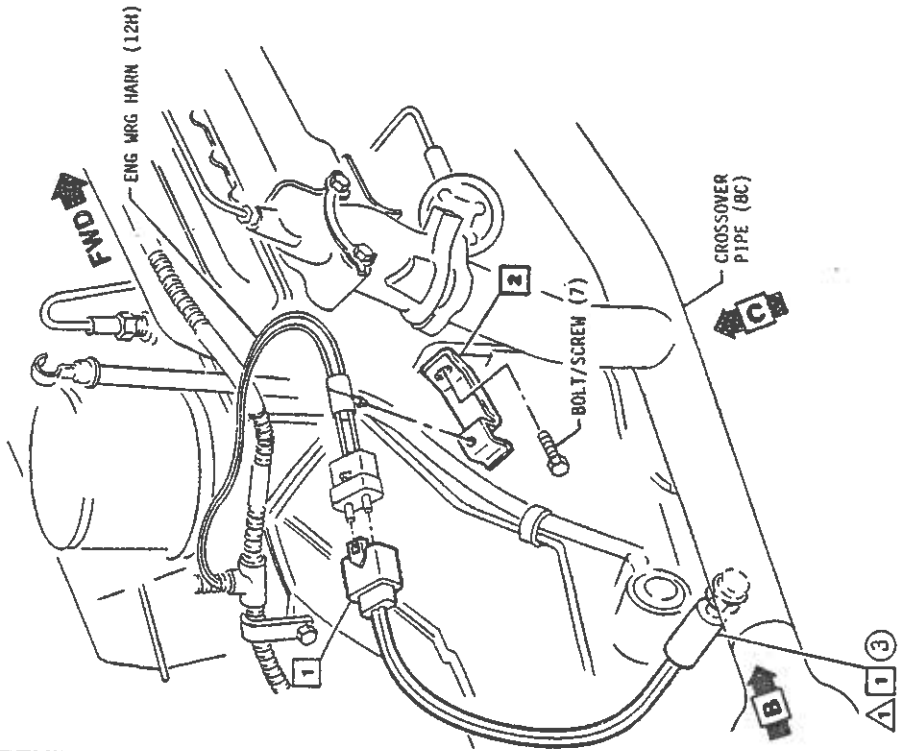
C X B 0 P X G

PRODUCT DESCRIPTION MANUAL

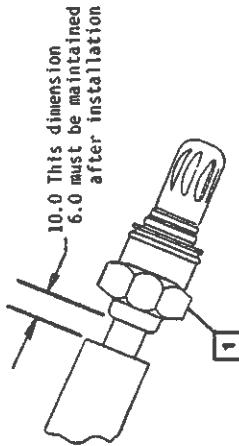
ITEM REFERENCE PROCESS MATERIAL TORQUE EXISTING AS PART OF

General Motors Corporation
CHEVROLET MOTOR DIVISION

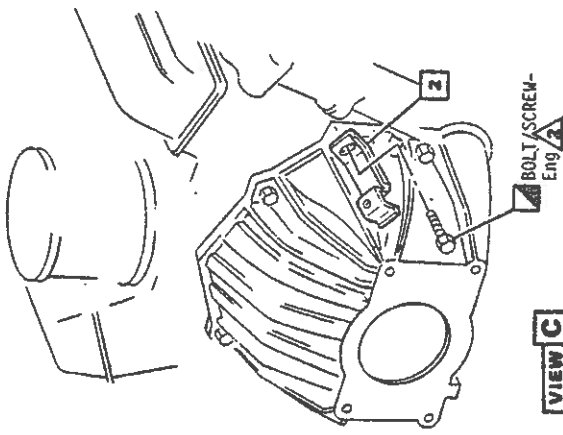
- 8990346 1 SENSOR ASM-EXH. OXYGEN
- 14034322 2 BRACKET



②



VIEW B



VIEW C
5M24 or M64

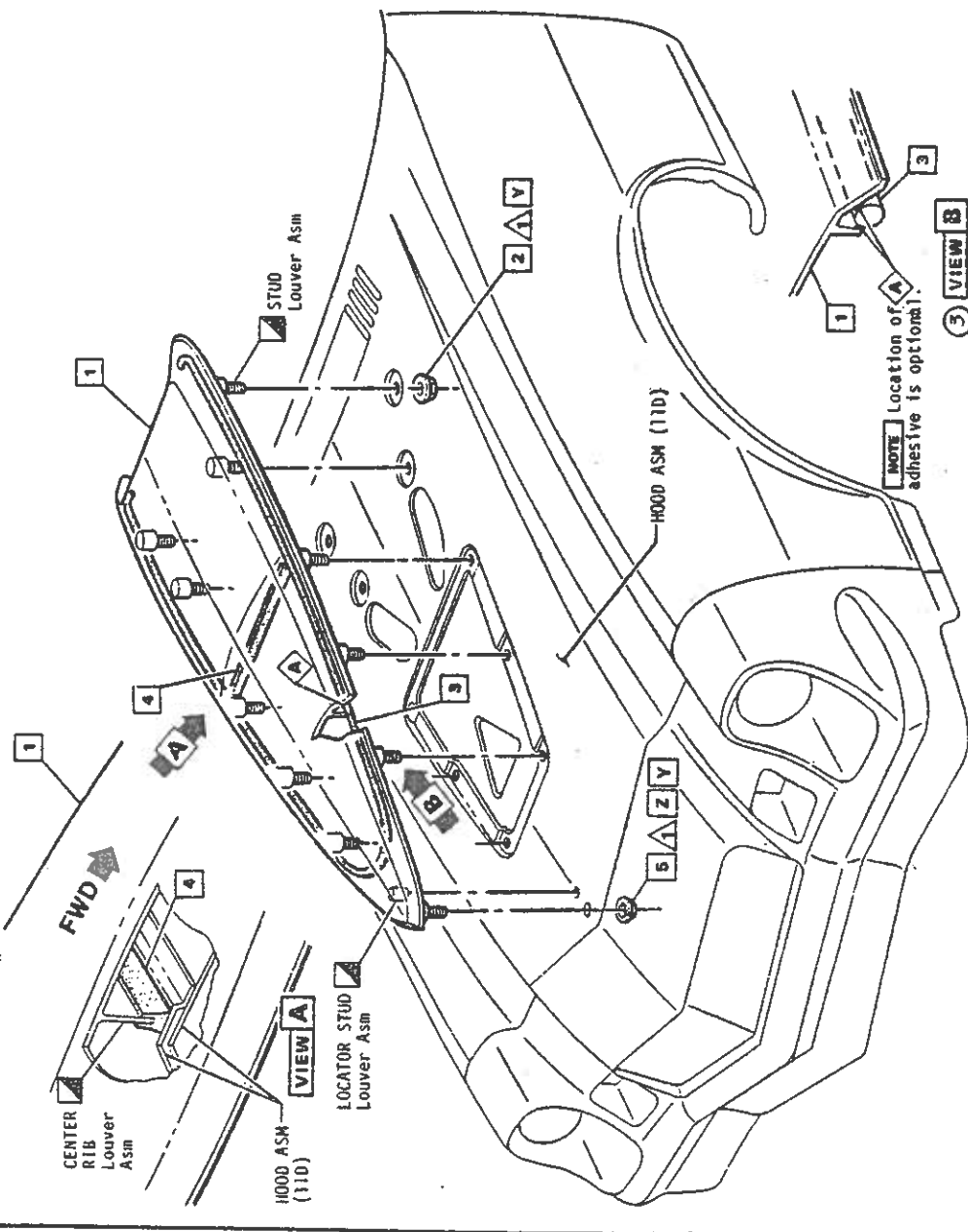
DATE	SYN	REVISION*	DATE	BY	CHK	IN	DATE	DIV
082280	1	2973345 RETAINER REM	20MY80	DR R KOCH	C	C		1981 CHEV. "F" 14020867
	2	VIEW "A" REM		DR R KOCH	C	C		EXHAUST OXYGEN SENSOR
	3	ITEM / DWG KEY	90997	DR R KOCH	C	C		FAOD 81.C3
				APPI				1-1-25023(S)
				APPI				UPC
				APPI				6M
				APPI				18.1
DYNAMIC (Instal) H-m HAND (Instal) H-m 38 - 46 34 - 40								CHEVROLET
FULLY DRIVEN, SEALED & NOT STOPPED								REF ECR 86448 NEW 13MY80
C O P Co								

PRODUCT DESCRIPTION MANUAL

General Motors Corporation
CHEVROLET MOTOR DIVISION

ITEM REFERENCE
 PROCESS MATERIAL
 TORQUE
 EXISTING AS PART OF

- 1 14010481 LOUVER ASM
- 2 9419845 NUT
- 3 14013426 SEAL (APPROX 90.00 IN.)
- 4 14013427 SEAL (APPROX 16.00 IN.)
- 5 9420253 NUT
- △ 9981472 ADHESIVE
Approx .01 Gal per job.



1 To avoid breakage, tighten the two rear nuts before the front nut, then tighten from front to rear. This avoids concentrating the scoop to hood mismatch in the weaker nose area.

2 Use Nut 5 at front attachment only.

DYNAMIC (Metric) m		HAND (Imp.) - M m		DATE	SYM	REVISION	AMN	DR	CU	DATE	DIV	1981 CHEV. "F" 14020867	
△ 4.6-7.0		△ 4.6-7.0		2/2/80	1	NOTE Y* ADDED	88765		C	DR R. LINDNER	CHEVROLET	HOOD LOUVER ASM-AIR INTAKE F000 & Z28	
△ 4.6-7.0		△ 4.6-7.0			2	ADHESIVE ADDED	83293	CU 521	C	BY R. L. A. L. L. R. C.	REC'R 86448	TITLE	
△ 4.6-7.0		△ 4.6-7.0			3	VIEW B ADDED			S	APR	C/O 16JABO	F000 & Z28	
△ 4.6-7.0		△ 4.6-7.0								APR	I-20092 (S)	UPC	
△ 4.6-7.0		△ 4.6-7.0								APR	6M-25	6M	
△ 4.6-7.0		△ 4.6-7.0								APR		SHEET	
△ 4.6-7.0		△ 4.6-7.0										19	

FULLY DRIVEN, SEALED & NOT STRIPPED
 U
 P
 G

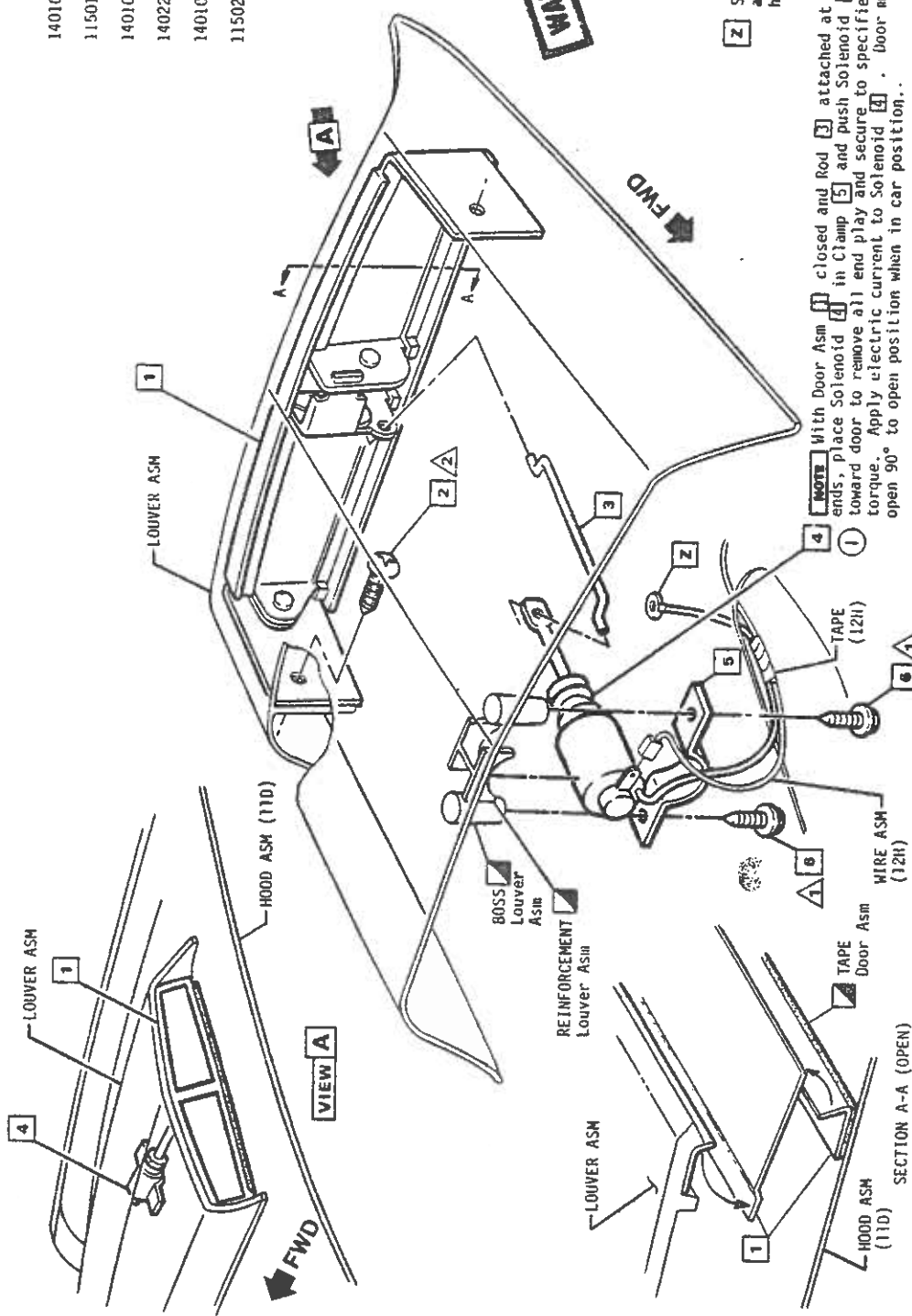
PRODUCT DESCRIPTION MANUAL

General Motors Corporation
CHEVROLET MOTOR DIVISION

ITEM REFERENCE PROCESS MATERIAL TORQUE EXISTING AS PART OF

- 1 14010483 DOOR ASM
- 2 11501609 BOLT/SCREW
- 3 14010491 ROD
- 4 14022028 SOLENOID ASM
- 5 14010484 CLAMP
- 6 11502835 BOLT/SCREW

WARNING LAYOUT APPROVAL



Z See hood Louver Wiring (12H) for attachment of terminal to inner hood.

NOTE With Door Asm **1** closed and Rod **3** attached at both ends, place Solenoid **4** in Clamp **5** and push Solenoid **4** toward door to remove all end play and secure to specified torque. Apply electric current to Solenoid **4**. Door must open 90° to open position when in car position..

DYNAMIC (Tested) N.m.		HAND (Imp.) N.m.		DATE	SYM	REVISION	REVISED	AUTH	DE	CK	EN	DATE	USE 51	DIV	1981 CHEV. "F" 14020867		
△	1.2-1.6			22A780	1	SOLENOID NOTE REVISED	(FC-0003) 8825	CU				08/25	DR R. LINDNER	CHEVROLET	DOOR ASM & SOLENOID-AIR INTAKE FP00 & 228		
△	0.6-1.4														REFECK 86448 C/O 16J480 6M-26		
△															1-2009 (S) 1-1905 (NS)		
△															IPC 6M SHEET 20		
△															APR NS D		
251																	

ONLY DRIVEN, SERVICED & NOT STRIPPED

0 0 0 P G₀

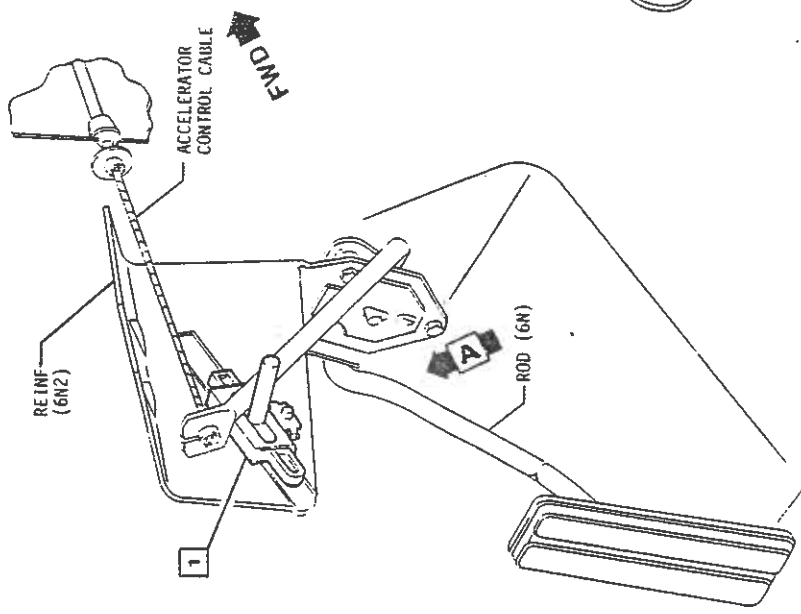


General Motors Corporation
CHEVROLET MOTOR DIVISION

PRODUCT DESCRIPTION MANUAL

□ ITEM REFERENCE ◊ PROCESS MATERIAL △ TORQUE ▣ EXISTING AS PART OF

- 1242101 1 SWITCH ASM
- 11502453 2 BOLT/SCREW



1 After installing switch press switch plunger as far FWD as possible. This pre-sets switch for adjustment. Accel pedal rod will adjust switch the first time it is moved to the wide open throttle position.

DATE	SYN	DIVISION	AUTH	DE	CK	APP	DATE	BY	CHK	DATE	BY	CHK	DIV	NO.
							01/25/80	DR R LINDNER					CHEVROLET	14020867
							02/05/80	CK Spence					SWITCH ASM-HOOD AIR INTAKE LOUVER FP00 & 728	
								APPE S					11-20/35(S)	6M
								APPE					REFGR 86448	SHEET
								APPE					C/O 160A80	21
								APPE					6M-26.1	

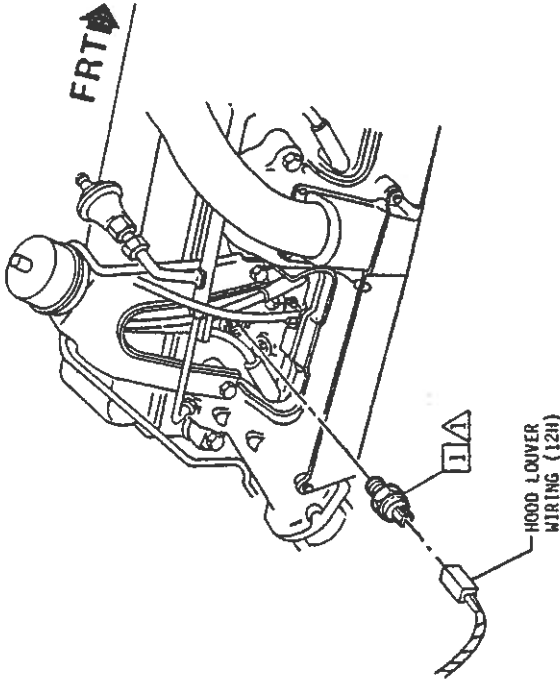
△ FULLY DRIVEN, SEALED & NOT STAPPL.
 1 2 3 4 5 6 7 8 9 10 11 12 13 14 15 16 17 18 19 20 21 22 23 24 25 26 27 28 29 30 31 32 33 34 35 36 37 38 39 40 41 42 43 44 45 46 47 48 49 50 51 52 53 54 55 56 57 58 59 60 61 62 63 64 65 66 67 68 69 70 71 72 73 74 75 76 77 78 79 80 81 82 83 84 85 86 87 88 89 90 91 92 93 94 95 96 97 98 99 100

General Motors Corporation
PRODUCT DESCRIPTION MANUAL

CHEVROLET MOTOR DIVISION

ITEM REFERRED TO
 PROCESS MATERIAL
 TORQUE
 EXISTING AS PART OF

25036265 SWITCH ASM



DATE	SIN	REVISION	AVTH	DR	CC	AW	DATE	BY	DIV	TITLE	DATE	BY	SHEET
							06/26/80		CHEVROLET	1981 CHEV. "F" 14020867			22
									CHEVROLET	THERMAL SWITCH ASM-AIR			6M
									CHEVROLET	INTAKE SCOOP			6M
									CHEVROLET	FPOO 8Z28			6M
									CHEVROLET	22003 (S)			6M
									CHEVROLET	NEW 16SE80			6M

BAND (asp) N^m
 20-27

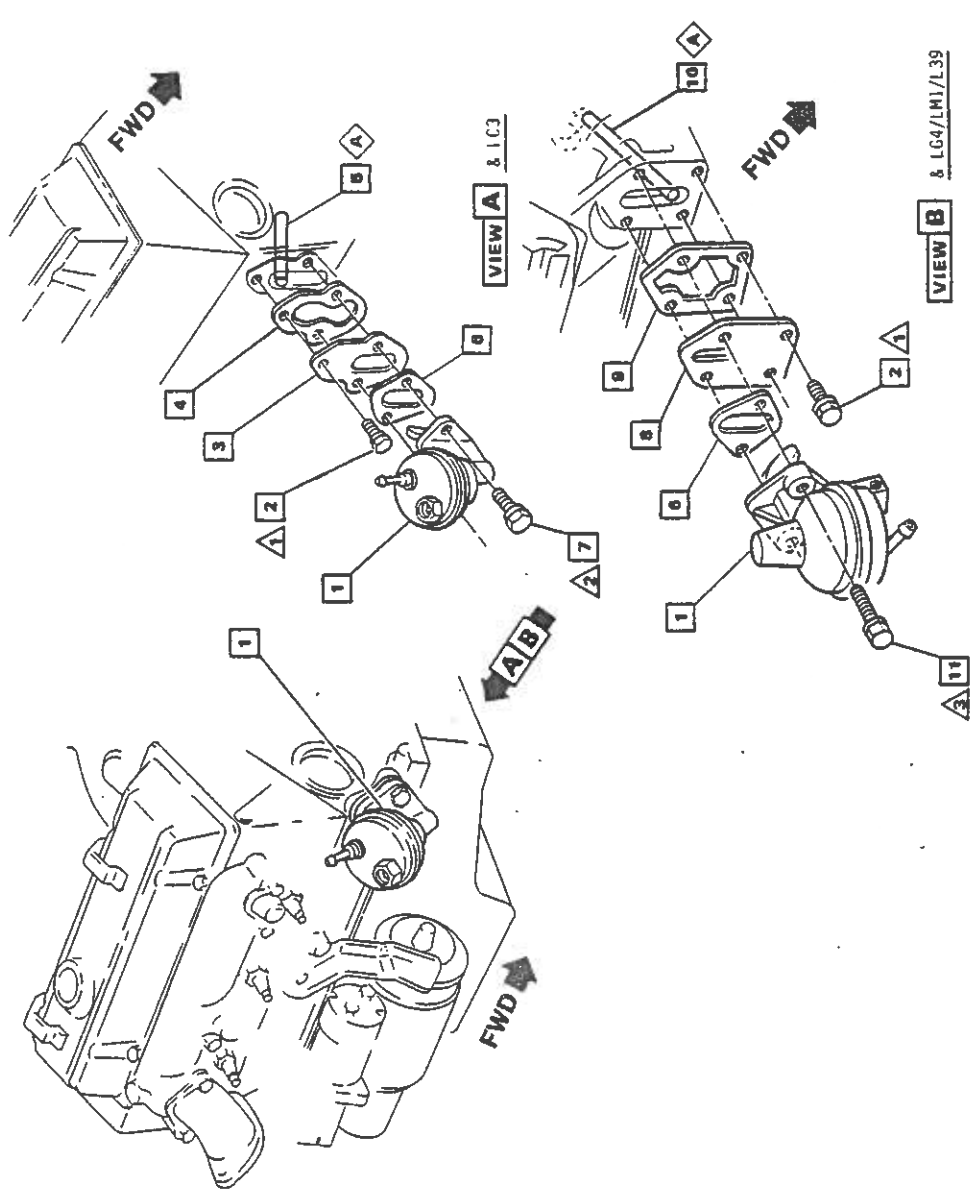
 FULLY DRAWN, SEATED & NOS STRIPPED
 C B D P Co

PRODUCT DESCRIPTION MANUAL

General Motors Corporation
CHEVROLET MOTOR DIVISION

ITEM REFERENCE PROCESS MATERIAL TORQUE EXISTING AS PART OF

- 1** 644138L PUMP ASH-FUEL & LC3
- 1** 6440777 & LG4 or LM1 & Z28; & LG4 & M33 & C60
- 1** 6441601 & LG4 & M24; & LG4 & M33 & C41; & L39
- 2** 9431873 BOLT/SCREW
- 3** 14006701 ADAPTER
- 4** 462632 GASKET
- 5** 464603 ROD-PUSH
- 6** 3705042 GASKET
- 7** 14001985 BOLT/SCREW
- 8** 3719599 ADAPTER
- 9** 3705044 GASKET
- 10** 3704817 ROD-PUSH
- 11** 3895411 BOLT/SCREW
- A** 9985038 LUBRICANT .0045 kg



DYNAMIC (incl) Pn	HAND (resp.) Pn	DATE	SYM	REVISION	AUTH	DR	CL	ASB	DATE	BY	CHK	DATE	BY	CHK
	Δ 3-6-4-6								08-28-80	DR R. LINDNER				
	Δ 19-26									CC <i>Don Ray</i>				
	Δ 34-40									APR S				
	Δ									APR				
	Δ									APR				
	Δ									APR				

1981 CHEV. "F" 14020867

CHEVROLET

FUEL PUMP
FA00 & LC3/LG4/LM1/L39

REF ECR 86448
C/O 22JAB0
6M-7 & 8

UVC **6M**

SHEET **24**

FULLY DRIVEN, SEALED & NOT STRIPPED
 [] [] [] []

