











# PONTIAC MOTOR DIVISION

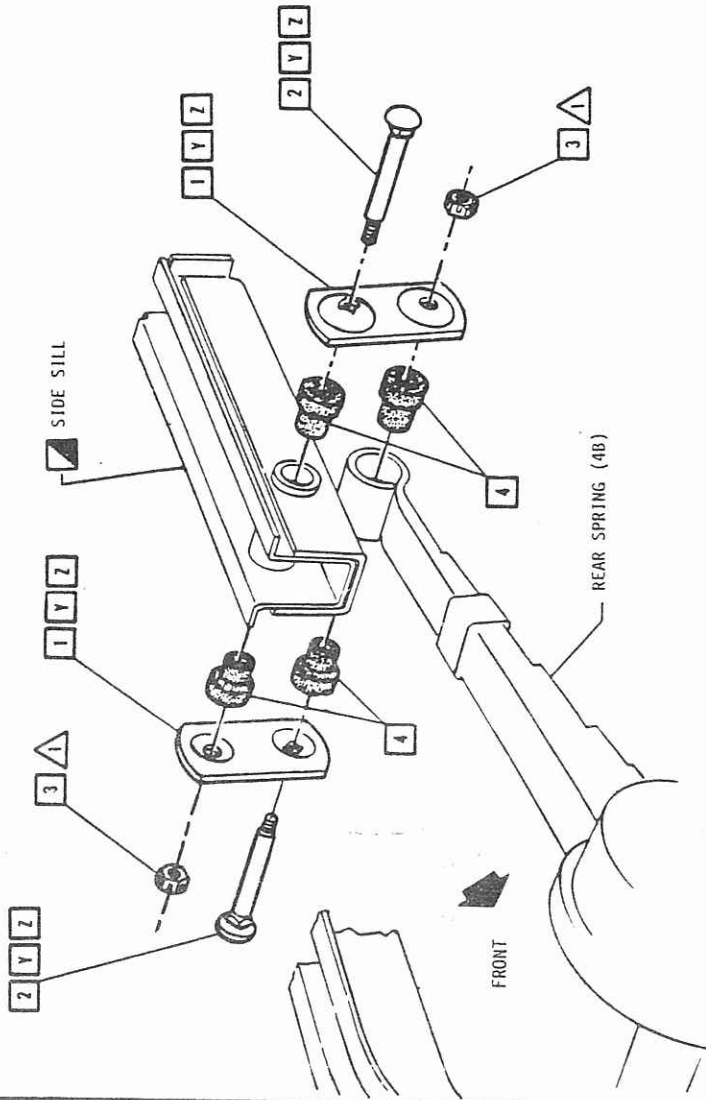
General Motors Corporation

Pontiac, Michigan

# PRODUCT DESCRIPTION MANUAL

ITEM REFERENCE  PROCESS MATERIAL  TORQUE  EXISTING AS PART OF

- 1 SHACKLE - REAR
- 2 BOLT/SCREW
- 3 NUT
- 4 BUSHING FP00 exc Z28; FS00
- 4 BUSHING FP00 & Z28



Y SHACKLES AND PINS TO BE ASSEMBLED IN DIRECTION SHOWN.

Z WITH SHACKLE PIN PROPERLY INSTALLED AND NUT TORQUED, A GAP OF UP TO .16 MAY EXIST BETWEEN THE BOLT HEAD AND THE SHACKLE.

DATE	2/2/80	SYN	ISSUED	REVISION	AUTH	DR	CK	DATE	14. NO. 79	DIV	1981 CHEV. "F" 14020867
HAND (Imp.)	M m	55 - 80	ISSUED	REVISION	86448	SM	80	DATE	DR P.D.S. Conn. % CK J.E.D.	CHEVROLET	TITLE
REAR SPRING SHACKLES								APPR	S	ECR 86448	REAR SPRING SHACKLES
								APPR		C/O 21N079	FAUD ALL
								APPR		4D-3 S.A.M.	DPC
								APPR		1-73632	4D
											SHEET
											3

156

▲ JULY DRIVEN SEATED & NOT STRIPPED

A  B  C  D  E  F  G  H



# PONTIAC MOTOR DIVISION

General Motors Corporation

Pontiac, Michigan

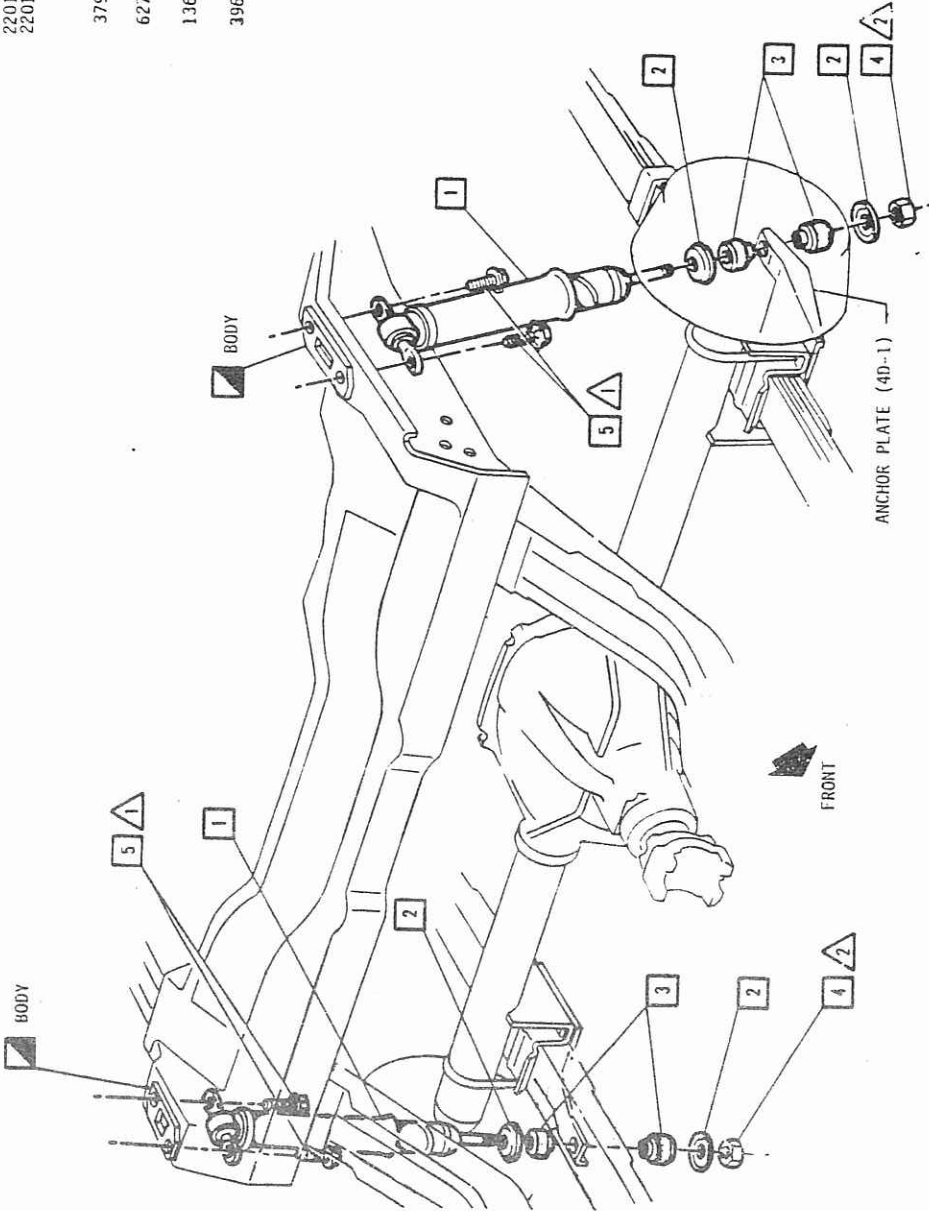
# PRODUCT DESCRIPTION MANUAL

ITEM REFERENCE     PROCESS MATERIAL     TORQUE     EXISTING AS PART OF

CONFIRMED ON STD 81 LOWHILES NDL-Z28 CAPAZED W/NO F41  
 BLACK SPRAL →

- 22012492 SHOCK ABSORBER ASM. FP00 exc F41
- 22012494 SHOCK ABSORBER ASM. FP00 & F41 exc Z28
- 22012624 SHOCK ABSORBER ASM. FP00 & Z28
- 22012622 SHOCK ABSORBER ASM. FP00

- 3798007  RETAINER
- 6270704  INSULATOR
- 1365067  NUT
- 3968521  BOLT/SCREW



DYNAMIC (Inch) / W / H	HAHD (Inch) / W / H	DATE	SYM	REVISION	AUTH	DR	CK	ASW	DATE	17	NO	DIV
△ 20 - 34	△ 7 - 14	22 MAR 80		ISSUED	86448	SM	SM		DR P.D. Sales	79		1981 CHEV. "F" 14020867
△	△								J.E.B.			CHEVROLET
△	△								APPE			REAR SHOCK ABSORBER ASSEMBLY
△	△								APPE			FA00 ALL
△	△								APPE			73632
△	△								APPE			4E
△	△								APPE			1
FULLY DRIVEN SEATED & NOT STRIPPED												
158												
ECR 86448 C/O 2/10/79 HE-1 S.A.M.												



