

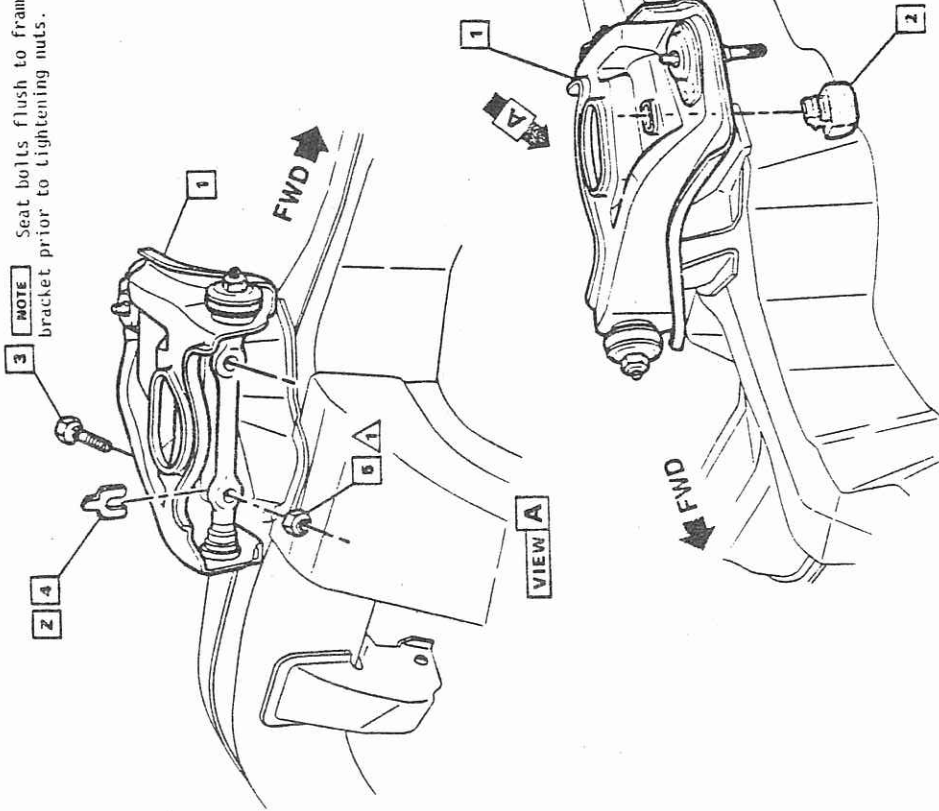
PRODUCT DESCRIPTION MANUAL

ITEM REFERENCE TORQUE EXISTING AS PART OF
 PROCESS MATERIAL TORQUE EXISTING AS PART OF

General Motors Corporation
CHEVROLET MOTOR DIVISION

- ① 14031593-4 1 ARM ASM-UPPER L. & R.II.
- 1362014 2 BUMPER
- 3964832 3 BOLT /SCREW
- 6270717 4 SHIM (.030) AS REQ'D
- 6270718 4 (.060) AS REQ'D
- 6270719 4 (.100) AS REQ'D
- 9422301 5 NUT

NOTE: Seat bolts flush to frame bracket prior to tightening nuts.



Z MANDATORY SYSTEM REQUIREMENT:

Shim as required to make caster & camber adjustment (approx 4 per Job). A maximum of one each of two thinner shims (.030 or .060 in.) may be used per bolt/screw.

NOTE: Shims must be clean & free of foreign substance. No foreign substance may be added to aid assembly. OPTION: Shims may be installed with open end up.

- A. Maintain a minimum of .10 in. thread length beyond nut after assembly (not including chamfer).
- B. Difference between front and rear shim pack must not exceed .40 in.

If these requirements cannot be met, it indicates a quality deficiency in a component part that must be corrected.

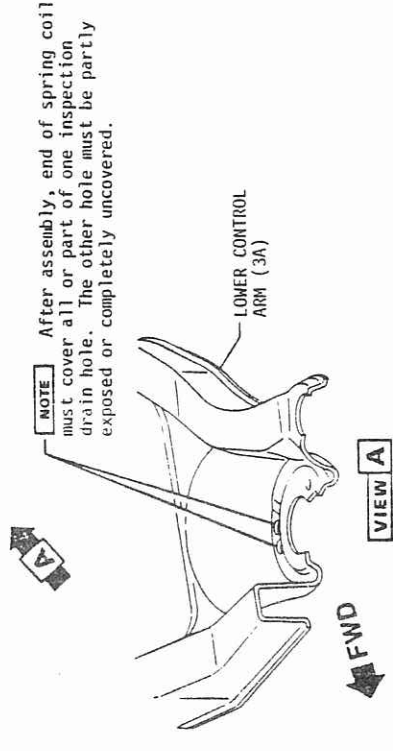
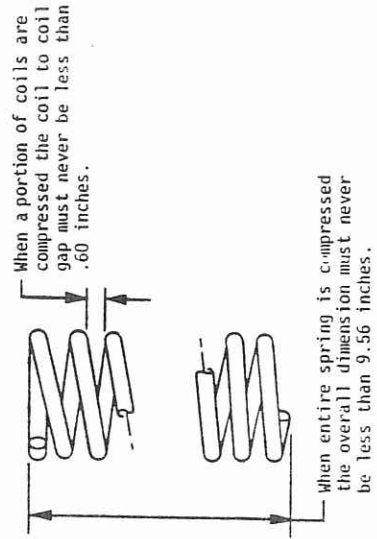
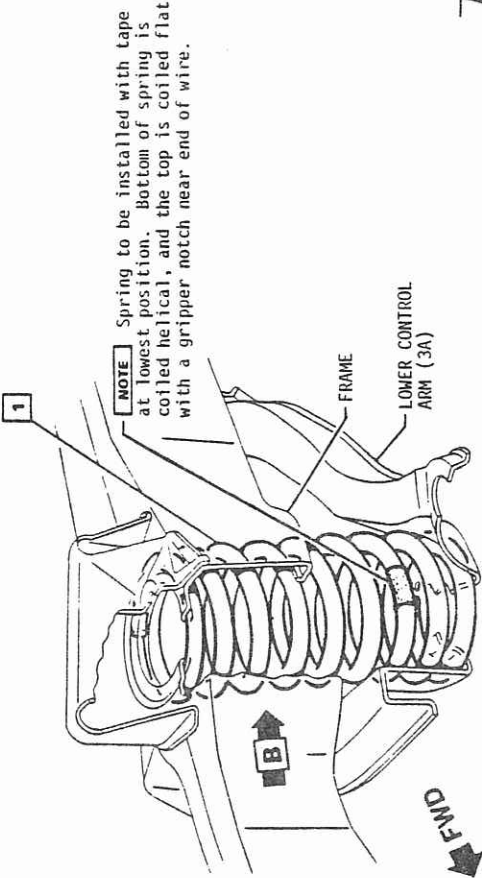
1981 CHEV. "F" 14020867		TITLE		UPPER CONTROL ARM & BUMPER	
CHEVROLET		DIV		FA00 ALL	
DATE 10-1-85		DR CE		REF ECR 86448	
BY MORRISON/JM		DR CE		C/O 21NO79	
BY [Signature]		DR CE		3A-1	
DATE 10-1-85		DR CE		SHEET 1	
BY MORRISON/JM		DR CE		UPC 3A	
BY [Signature]		DR CE		SHEET 1	
DATE 10-1-85		DR CE		UPC 3A	
BY MORRISON/JM		DR CE		SHEET 1	
BY [Signature]		DR CE		UPC 3A	
DATE 10-1-85		DR CE		SHEET 1	
BY MORRISON/JM		DR CE		UPC 3A	
BY [Signature]		DR CE		SHEET 1	
DATE 10-1-85		DR CE		UPC 3A	
BY MORRISON/JM		DR CE		SHEET 1	
BY [Signature]		DR CE		UPC 3A	
DATE 10-1-85		DR CE		SHEET 1	
BY MORRISON/JM		DR CE		UPC 3A	
BY [Signature]		DR CE		SHEET 1	
DATE 10-1-85		DR CE		UPC 3A	
BY MORRISON/JM		DR CE		SHEET 1	
BY [Signature]		DR CE		UPC 3A	
DATE 10-1-85		DR CE		SHEET 1	
BY MORRISON/JM		DR CE		UPC 3A	
BY [Signature]		DR CE		SHEET 1	
DATE 10-1-85		DR CE		UPC 3A	
BY MORRISON/JM		DR CE		SHEET 1	
BY [Signature]		DR CE		UPC 3A	
DATE 10-1-85		DR CE		SHEET 1	
BY MORRISON/JM		DR CE		UPC 3A	
BY [Signature]		DR CE		SHEET 1	
DATE 10-1-85		DR CE		UPC 3A	
BY MORRISON/JM		DR CE		SHEET 1	
BY [Signature]		DR CE		UPC 3A	
DATE 10-1-85		DR CE		SHEET 1	
BY MORRISON/JM		DR CE		UPC 3A	
BY [Signature]		DR CE		SHEET 1	
DATE 10-1-85		DR CE		UPC 3A	
BY MORRISON/JM		DR CE		SHEET 1	
BY [Signature]		DR CE		UPC 3A	
DATE 10-1-85		DR CE		SHEET 1	
BY MORRISON/JM		DR CE		UPC 3A	
BY [Signature]		DR CE		SHEET 1	
DATE 10-1-85		DR CE		UPC 3A	
BY MORRISON/JM		DR CE		SHEET 1	
BY [Signature]		DR CE		UPC 3A	
DATE 10-1-85		DR CE		SHEET 1	
BY MORRISON/JM		DR CE		UPC 3A	
BY [Signature]		DR CE		SHEET 1	
DATE 10-1-85		DR CE		UPC 3A	
BY MORRISON/JM		DR CE		SHEET 1	
BY [Signature]		DR CE		UPC 3A	
DATE 10-1-85		DR CE		SHEET 1	
BY MORRISON/JM		DR CE		UPC 3A	
BY [Signature]		DR CE		SHEET 1	
DATE 10-1-85		DR CE		UPC 3A	
BY MORRISON/JM		DR CE		SHEET 1	
BY [Signature]		DR CE		UPC 3A	
DATE 10-1-85		DR CE		SHEET 1	
BY MORRISON/JM		DR CE		UPC 3A	
BY [Signature]		DR CE		SHEET 1	
DATE 10-1-85		DR CE		UPC 3A	
BY MORRISON/JM		DR CE		SHEET 1	
BY [Signature]		DR CE		UPC 3A	
DATE 10-1-85		DR CE		SHEET 1	
BY MORRISON/JM		DR CE		UPC 3A	
BY [Signature]		DR CE		SHEET 1	
DATE 10-1-85		DR CE		UPC 3A	
BY MORRISON/JM		DR CE		SHEET 1	
BY [Signature]		DR CE		UPC 3A	
DATE 10-1-85		DR CE		SHEET 1	
BY MORRISON/JM		DR CE		UPC 3A	
BY [Signature]		DR CE		SHEET 1	
DATE 10-1-85		DR CE		UPC 3A	
BY MORRISON/JM		DR CE		SHEET 1	
BY [Signature]		DR CE		UPC 3A	
DATE 10-1-85		DR CE		SHEET 1	
BY MORRISON/JM		DR CE		UPC 3A	
BY [Signature]		DR CE		SHEET 1	
DATE 10-1-85		DR CE		UPC 3A	
BY MORRISON/JM		DR CE		SHEET 1	
BY [Signature]		DR CE		UPC 3A	
DATE 10-1-85		DR CE		SHEET 1	
BY MORRISON/JM		DR CE		UPC 3A	
BY [Signature]		DR CE		SHEET 1	
DATE 10-1-85		DR CE		UPC 3A	
BY MORRISON/JM		DR CE		SHEET 1	
BY [Signature]		DR CE		UPC 3A	
DATE 10-1-85		DR CE		SHEET 1	
BY MORRISON/JM		DR CE		UPC 3A	
BY [Signature]		DR CE		SHEET 1	
DATE 10-1-85		DR CE		UPC 3A	
BY MORRISON/JM		DR CE		SHEET 1	
BY [Signature]		DR CE		UPC 3A	
DATE 10-1-85		DR CE		SHEET 1	
BY MORRISON/JM		DR CE		UPC 3A	
BY [Signature]		DR CE		SHEET 1	
DATE 10-1-85		DR CE		UPC 3A	
BY MORRISON/JM		DR CE		SHEET 1	
BY [Signature]		DR CE		UPC 3A	
DATE 10-1-85		DR CE		SHEET 1	
BY MORRISON/JM		DR CE		UPC 3A	
BY [Signature]		DR CE		SHEET 1	
DATE 10-1-85		DR CE		UPC 3A	
BY MORRISON/JM		DR CE		SHEET 1	
BY [Signature]		DR CE		UPC 3A	
DATE 10-1-85		DR CE		SHEET 1	
BY MORRISON/JM		DR CE		UPC 3A	
BY [Signature]		DR CE		SHEET 1	
DATE 10-1-85		DR CE		UPC 3A	
BY MORRISON/JM		DR CE		SHEET 1	
BY [Signature]		DR CE		UPC 3A	
DATE 10-1-85		DR CE		SHEET 1	
BY MORRISON/JM		DR CE		UPC 3A	
BY [Signature]		DR CE		SHEET 1	
DATE 10-1-85		DR CE		UPC 3A	
BY MORRISON/JM		DR CE		SHEET 1	
BY [Signature]		DR CE		UPC 3A	
DATE 10-1-85		DR CE		SHEET 1	
BY MORRISON/JM		DR CE		UPC 3A	
BY [Signature]		DR CE		SHEET 1	
DATE 10-1-85		DR CE		UPC 3A	
BY MORRISON/JM		DR CE		SHEET 1	
BY [Signature]		DR CE		UPC 3A	
DATE 10-1-85		DR CE		SHEET 1	
BY MORRISON/JM		DR CE		UPC 3A	
BY [Signature]		DR CE		SHEET 1	
DATE 10-1-85		DR CE		UPC 3A	
BY MORRISON/JM		DR CE		SHEET 1	
BY [Signature]		DR CE		UPC 3A	
DATE 10-1-85		DR CE		SHEET 1	
BY MORRISON/JM		DR CE		UPC 3A	
BY [Signature]		DR CE		SHEET 1	
DATE 10-1-85		DR CE		UPC 3A	
BY MORRISON/JM		DR CE		SHEET 1	
BY [Signature]		DR CE		UPC 3A	
DATE 10-1-85		DR CE		SHEET 1	
BY MORRISON/JM		DR CE		UPC 3A	
BY [Signature]		DR CE		SHEET 1	
DATE 10-1-85		DR CE		UPC 3A	
BY MORRISON/JM		DR CE		SHEET 1	
BY [Signature]		DR CE		UPC 3A	
DATE 10-1-85		DR CE		SHEET 1	
BY MORRISON/JM		DR CE		UPC 3A	
BY [Signature]		DR CE		SHEET 1	
DATE 10-1-85		DR CE		UPC 3A	
BY MORRISON/JM		DR CE		SHEET 1	
BY [Signature]		DR CE		UPC 3A	
DATE 10-1-85		DR CE		SHEET 1	
BY MORRISON/JM		DR CE		UPC 3A	
BY [Signature]		DR CE		SHEET 1	
DATE 10-1-85		DR CE		UPC 3A	
BY MORRISON/JM		DR CE		SHEET 1	
BY [Signature]		DR CE		UPC 3A	
DATE 10-1-85		DR CE		SHEET 1	
BY MORRISON/JM		DR CE		UPC 3A	
BY [Signature]		DR CE		SHEET 1	
DATE 10-1-85		DR CE		UPC 3A	
BY MORRISON/JM		DR CE		SHEET 1	
BY [Signature]		DR CE		UPC 3A	
DATE 10-1-85		DR CE		SHEET 1	
BY MORRISON/JM		DR CE		UPC 3A	
BY [Signature]		DR CE		SHEET 1	
DATE 10-1-85		DR CE		UPC 3A	
BY MORRISON/JM		DR CE		SHEET 1	
BY [Signature]		DR CE		UPC 3A	
DATE 10-1-85		DR CE		SHEET 1	
BY MORRISON/JM		DR CE		UPC 3A	
BY [Signature]		DR CE		SHEET 1	
DATE 10-1-85		DR CE		UPC 3A	
BY MORRISON/JM		DR CE		SHEET 1	
BY [Signature]		DR CE		UPC 3A	
DATE 10-1-85		DR CE		SHEET 1	
BY MORRISON/JM		DR CE		UPC 3A	
BY [Signature]		DR CE		SHEET 1	
DATE 10-1-85		DR CE		UPC 3A	
BY MORRISON/JM		DR CE		SHEET 1	
BY [Signature]		DR CE		UPC 3A	
DATE 10-1-85		DR CE		SHEET 1	
BY MORRISON/JM		DR CE		UPC 3A	
BY [Signature]		DR CE		SHEET 1	
DATE 10-1-85		DR CE		UPC 3A	
BY MORRISON/JM		DR CE		SHEET 1	
BY [Signature]		DR CE		UPC 3A	
DATE 10-1-85		DR CE		SHEET 1	
BY MORRISON/JM		DR CE		UPC 3A	
BY [Signature]		DR CE		SHEET 1	
DATE 10-1-85		DR CE		UPC 3A	
BY MORRISON/JM		DR CE		SHEET 1	
BY [Signature]		DR CE		UPC 3A	
DATE 10-1-85		DR CE		SHEET 1	
BY MORRISON/JM		DR CE		UPC 3A	
BY [Signature]		DR CE		SHEET 1	
DATE 10-1-85		DR CE		UPC 3A	
BY MORRISON/JM		DR CE		SHEET 1	
BY [Signature]		DR CE		UPC 3A	
DATE 10-1-85		DR CE		SHEET 1	
BY MORRISON/JM		DR CE		UPC 3A	
BY [Signature]		DR CE		SHEET 1	
DATE 10-1-85		DR CE		UPC 3A	
BY MORRISON/JM		DR CE		SHEET 1	
BY [Signature]		DR CE		UPC 3A	
DATE 10-1-85		DR CE		SHEET 1	
BY MORRISON/JM		DR CE		UPC 3A	
BY [Signature]		DR CE		SHEET 1	
DATE 10-1-85		DR CE		UPC 3A	
BY MORRISON/JM		DR CE		SHEET 1	
BY [Signature]		DR CE		UPC 3A	
DATE 10-1-85		DR CE		SHEET 1	
BY MORRISON/JM		DR CE		UPC 3A	
BY [Signature]		DR CE		SHEET 1	
DATE 10-1-85		DR CE		UPC 3A	
BY MORRISON/JM		DR CE		SHEET 1	
BY [Signature]		DR CE		UPC 3A	
DATE 10-1-85		DR CE		SHEET 1	
BY MORRISON/JM		DR CE		UPC 3A	
BY [Signature]		DR CE		SHEET 1	
DATE 10-1-85		DR CE		UPC 3A	
BY MORRISON/JM		DR CE		SHEET 1	
BY [Signature]		DR CE		UPC 3A	
DATE 10-1-85		DR CE		SHEET 1	
BY MORRISON/JM		DR CE		UPC 3A	
BY [Signature]		DR CE		SHEET 1	
DATE 10-1-85		DR CE		UPC 3A	
BY MORRISON/JM		DR CE		SHEET 1	
BY [Signature]		DR CE		UPC 3A	
DATE 10-1-85		DR CE		SHEET 1	
BY MORRISON/JM		DR CE		UPC 3A	
BY [Signature]		DR CE		SHEET 1	
DATE 10-1-85		DR CE		UPC 3A	
BY MORRISON/JM		DR CE		SHEET 1	
BY [Signature]		DR CE		UPC 3A	
DATE 10-1-85		DR CE		SHEET 1	
BY MORRISON/JM		DR CE		UPC 3A	
BY [Signature]		DR CE		SHEET 1	
DATE 10-1-85		DR CE		UPC 3A	
BY MORRISON/JM		DR CE		SHEET 1	
BY [Signature]		DR CE		UPC 3A	
DATE 10-1-85		DR CE		SHEET 1	
BY MORRISON/JM		DR CE		UPC 3A	
BY [Signature]		DR CE		SHEET 1	
DATE 10-1-85		DR CE		UPC 3A	
BY MORRISON/JM		DR CE		SHEET 1	
BY [Signature]		DR CE		UPC 3A	
DATE 10-1-85		DR CE		SHEET 1	
BY MORRISON/JM		DR CE		UPC 3A	

PRODUCT DESCRIPTION MANUAL

ITEM REFERENCE PROCESS MATERIAL TORQUE EXISTING AS PART OF

General Motors Corporation
 CHEVROLET MOTOR DIVISION

14029303 1 CHART-SPRING
 USAGE (UPC 0)



DYNAMIC (Instal) N-m		HAND (Instal) N-m	DATE	SYM	REVISION	AUTH	DR	CK	ASW	DATE	DR	ADMISSION/EJM	
△	△	△										DR	
△	△	△										APPR	
△	△	△										APPR	
△	△	△										APPR	
△	△	△										APPR	
FULLY DRIVEN, SEATED & NOT STRIPPED													
Ch	X	B	0	P	X	Ca							

	1981 CHEV. "F" 14020867	TITLE FRONT SPRINGS FA00 ALL
DIV CHEVROLET	PART NO E/C R 86448 C/O 21N079 3C-1	UPC 1-95093-5
		SHEET 3C 1

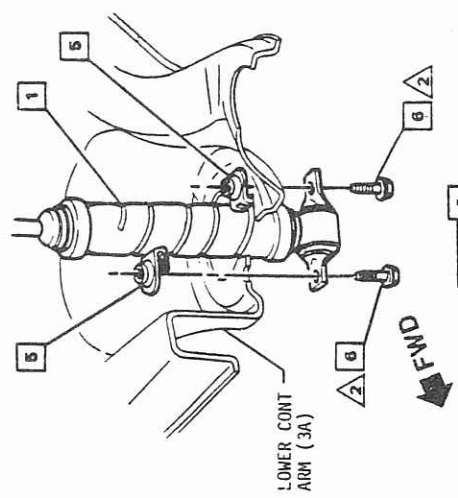
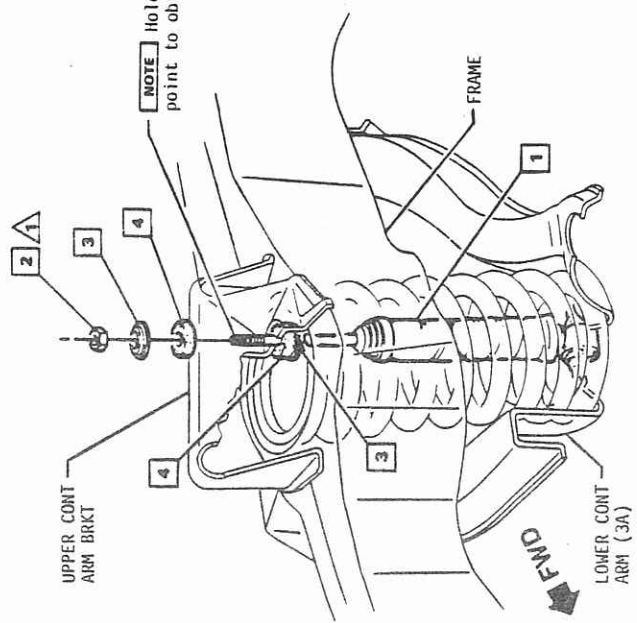
PRODUCT DESCRIPTION MANUAL

General Motors Corporation
CHEVROLET MOTOR DIVISION

ITEM REFERENCE
 PROCESS MATERIAL
 TORQUE
 EXISTING AS PART OF

22012192	1	SHOCK ABS ASM FP00 exc F41
22012621	1	FS00
22012493	1	FP00 & F41 exc Z2B;
22012623	1	FP00 & Z2B
1365067	2	NUT
5544049	3	RETAINER
6264018	4	INSULATOR
339715	5	NUT
3968521	6	BOLT/SCREW

NOTE Hold stud at this point to obtain torque.



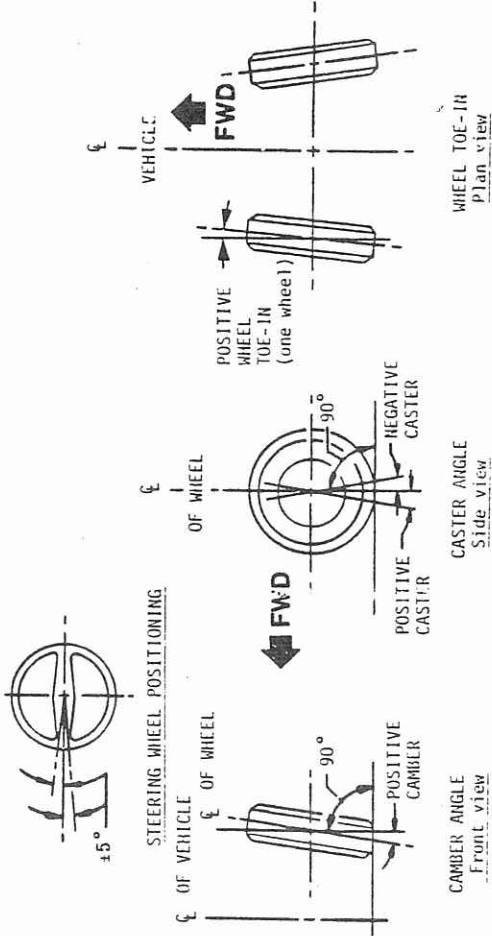
DYNAMIC (Initial) <input type="checkbox"/> HAND (top) <input type="checkbox"/> - N-m		DATE	SYM	REVISION	AUTH	DE	CK	APP	DATE	BY
<input type="checkbox"/>	<input type="checkbox"/>	7 - 14							DR MDR:SON/LJM	10/15/82
<input type="checkbox"/>	<input type="checkbox"/>	20 - 34							CK [Signature]	10/15/82
<input type="checkbox"/>	<input type="checkbox"/>								APPR	
<input type="checkbox"/>	<input type="checkbox"/>								APPR	
<input type="checkbox"/>	<input type="checkbox"/>								APPR	
<input type="checkbox"/>	<input type="checkbox"/>								APPR	
<input checked="" type="checkbox"/> FULLY DRYN SEALD & NOT STRIPPED										
Ch <input type="checkbox"/> b <input type="checkbox"/> 0 <input type="checkbox"/> P <input checked="" type="checkbox"/> Ca										
DIV CHEVROLET TITLE 1981 CHEV. "F" 14020867 FRONT SHOCK ABSORBER FA00 ALL										SHEET 3F 1
U/I ECR 86448 C/O 2JN079 3F-1										U/I 95093-S 3F-1

FRONT SUSPENSION ALIGNMENT

TO ALIGN	(A) AS SHIPPED			(A) CURB (Ref Only)	
	FACTORY TARGET	FACTORY AUDIT	SERVICE CHECKING	SERVICE CHECKING	SERVICE SETTING
CASTER	+1°	+1° ± .8°	+1° ± .8°	+1° ± .8°	+1° ± .5°
CAMBER	+1°	+1° ± .8°	+1° ± .8°	+1° ± .8°	+1° ± .5°
TOE-IN (DEGREES PER WHEEL)	+1.5°	+1.5° ± .10°	+1.5° ± .10°	+1.5° ± .10°	+1.5° ± .05°

NOTE Vehicle must be jounced 3 times before checking alignment to eliminate false geometry readings.

- (A) Front Suspension (Z) dimension and Rear Suspension (D) dimension are held as indicated in "Trim Heights" chart. See UPC 0. Wheel alignment specifications to be as indicated on this chart.
- (B) Left and right side to be equal within 1°.
- (C) Left and right side to be equal within .5°.
- (D) Steering wheel must be held in straight ahead position ±5° while front wheel toe is being adjusted.



DYNAMIC (Instal) H.M. HAND (Insp.) H.M.		DATE	SYM	REVISION	AUTH	DR	CK	ENG	DATE	DIV	1981 CHEV. "F" 14020867	
△									DR MORRISON/EJM	CHEVROLET	FRONT SUSPENSION ALIGNMENT CHART	
△									APPE S	REF ECR 86448	UPC	3Z
△									APPE	C/G 1M079		1
△									APPE	3Z-1		SHEET